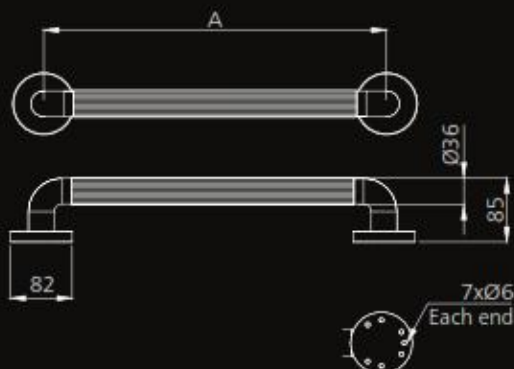


Grab Rails

Plastic fluted grab rail



The high quality and functionality of this product makes it an extremely popular choice for a wide variety of installations. The unique colour range adds extra flexibility particularly in installations where the user has impaired vision.



Code	A
PFGB 12	300
PFGB 18	450
PFGB 24	600
PFGB 36	900

Available colours				WH
EB	DB	Y	RD	
BL	GR	BR	GY	

- Made from high quality ABS plastic
- UV stabilised to prevent discolouration
- No electrical earthing required
- Captive clip on flange cover to conceal fixings

Plastic fluted 135° cranked grab rail

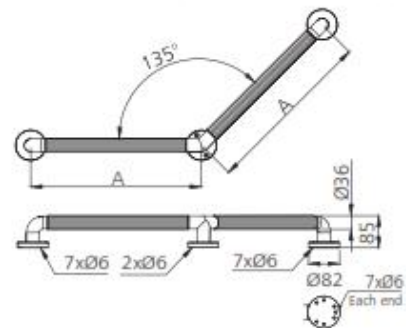


Available colours



Code	A
PFCR 6	150
PFCR 12	300
PFCR 18	450

- Made from high quality ABS plastic
- UV stabilised to prevent discolouration
- No electrical earthing required
- Captive clip on flange cover to conceal fixings



Plastic fluted 90° cranked grab rail

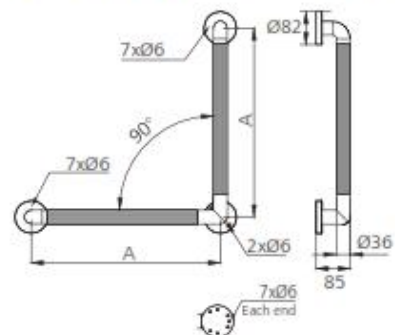


Available colours



Code	A
PFAB 18	450
PFAB 24	600

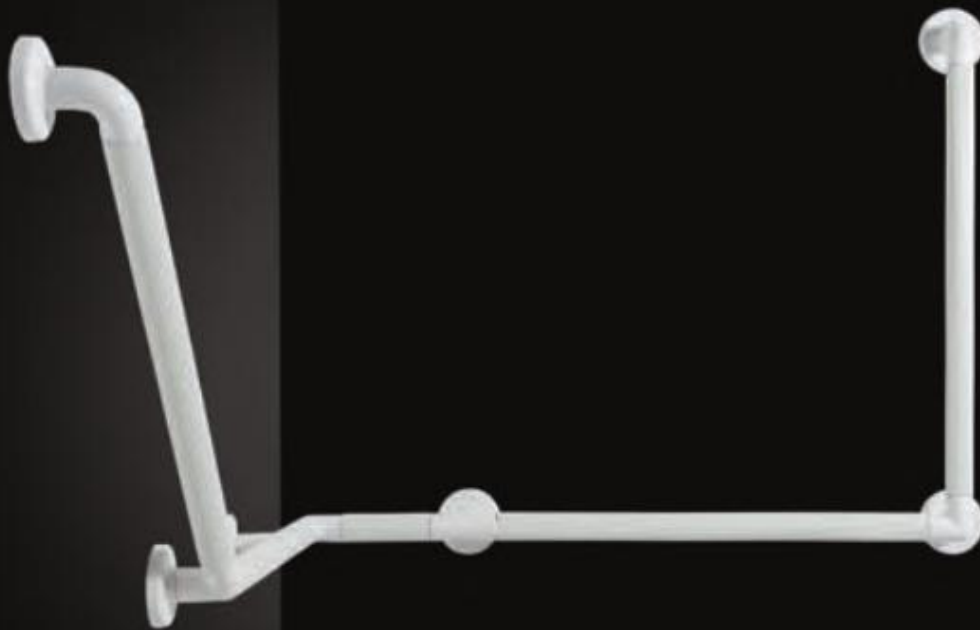
- Made from high quality ABS plastic
- UV stabilised to prevent discolouration
- No electrical earthing required
- Captive clip on flange cover to conceal fixings



Grab Rails

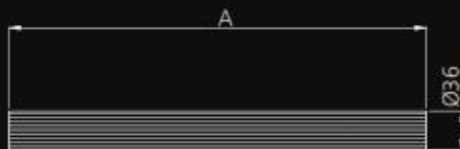
Modular system

Plastic fluted handrail tube   



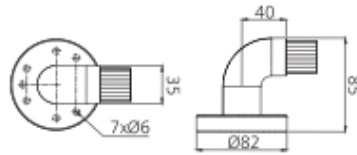
This high quality system has been designed around the extremely popular plastic fluted grab rail range. With the combination of joiners and a choice of different length tubes, almost any configuration can be accommodated.

Code	A
MGR 1	230
MGR 2	330
MGR 3	380
MGR 4	530
MGR 5	660
MGR 6	690
MGR 7	710



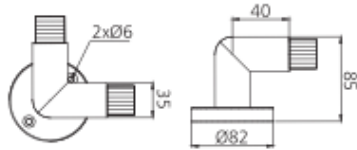
- Assembled using solvent cement, giving a permanent bond
- UV stabilised to prevent discolouration
- No electrical earthing required
- Highly flexible modular solution
- Can be assembled on site or in factory
- Fluted design for user grip

Modular system - plastic handrail components



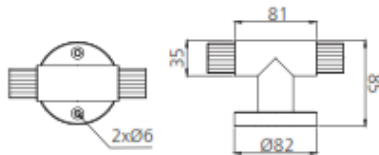
Code
MGR 8

Available colours



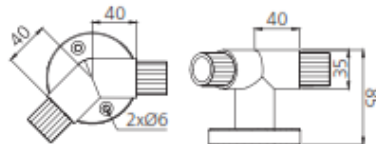
Code
MGR 9

WH



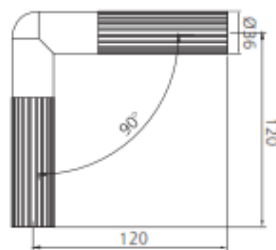
Code
MGR 10

WH



Code
MGR 11

WH



Code
MGR 13

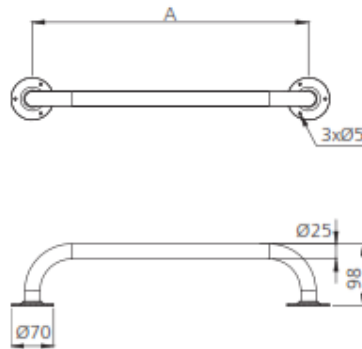
WH

Code
MGR 12 250ml Adhesive

- Assembled using solvent cement giving a permanent bond
- High quality ABS plastic
- UV stabilised to prevent discolouration
- No electrical earthing required
- Highly flexible modular solution
- Can be assembled on site or in factory
- Captive clip on flange cover to conceal fixings

Grab Rails

Round flange steel grab rail - 25mm diameter tube



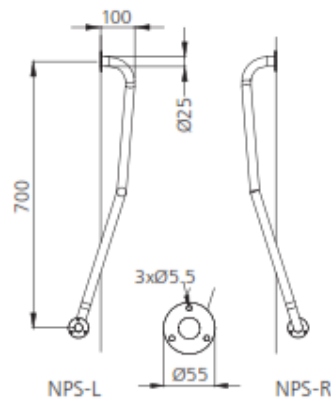
Available colours

WH

Code	A
GR 12/25	305
GR 18/25	455
GR 24/25	610

- Robust steel construction
- Durable epoxy polyester coated finish

Newel post grab rail



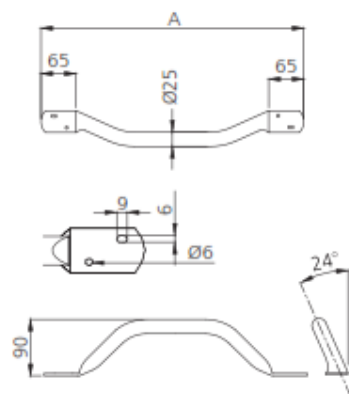
Available colours

WH

Code	
NPS-L	Left-handed
NPS-R	Right-handed

- Provides additional support when stepping onto stairs
- Robust steel construction
- Small flange for ease of fitting to modern newel posts
- Durable epoxy polyester coated finish

Off-set flat end steel grab rail



Available colours

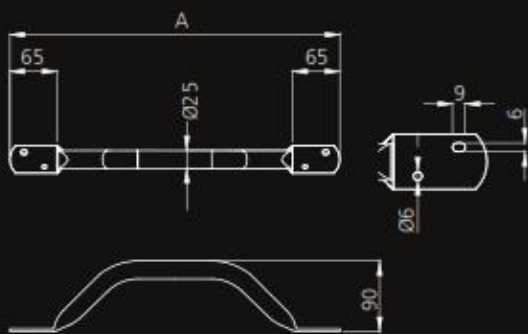
WH

BR

Code	A
FESB 18'0"	455
FESB 24'0"	610
FESB 28'0"	710

- Off-set to allow safe hand grip next to door ways
- Robust steel construction
- Durable epoxy polyester coated finish

Flat end steel grab rail 



Code	A
FESB 12	305
FESB 18	455
FESB 24	610
FESB 28	710
FESB 36	915

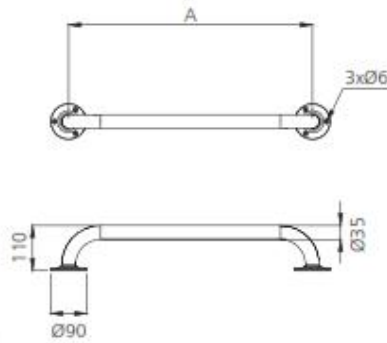
Available colours



- Narrow flange designed for use in limited flange mounting space
- Robust mild steel construction
- Durable epoxy coated finish

Grab Rails

Round flange steel grab rail - 35mm diameter tube



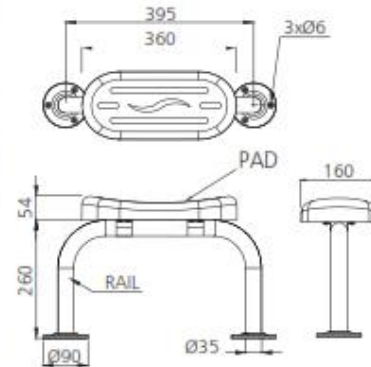
Available colours



Code	A
GR 12/35	305
GR 18/35	455
GR 24/35	610
GR 30/35	750
GR 36/35	915

- Robust steel construction
- Durable epoxy polyester coated finish
- Raised flange to allow for uneven wall surfaces

Round flange steel back rest rail and pad



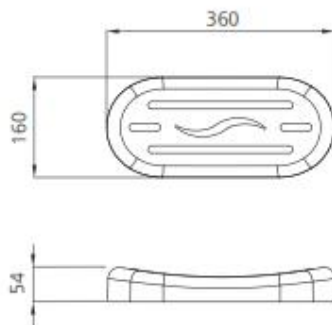
Available colours



Code
BR 255/SP

- Robust steel construction
- Durable wipe clean pad
- Saddle clips for fixing pad to rail

Standard replacement pad



Available colours

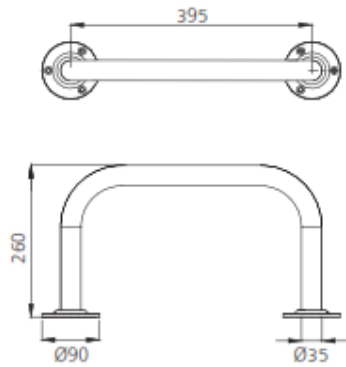


Code
BR/SP

- Durable wipe clean pad
- Saddle clips for fixing to either 35 or 32mm diameter rail
- Closed cell soft PU construction for hygiene and user comfort

Grab Rails

Round end steel back rest rail



Available colours

WH

EB

GY

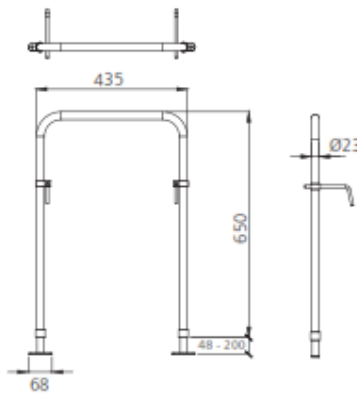
DG

Code

BR 255

- Robust steel construction
- Saddle clips for fixing pad to rail

Floor mounted bath side rail



Available colours

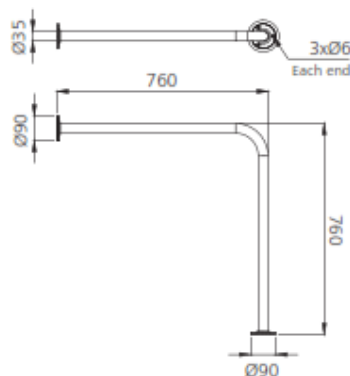
CS

Code

111401

- Robust steel construction
- Chrome plated finish
- Fixes to floor and clamps over side of bath

Floor to wall rail



Available colours

WH

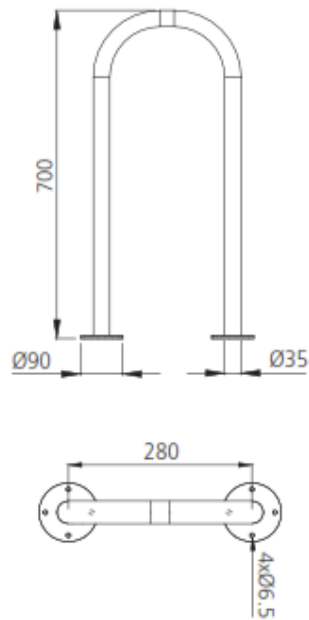
Code

F/W 760

- Robust steel construction
- Raised flange to allow for fixing to slightly uneven surfaces

Grab Rails

Floor mounted round flange U-rail



Available colours

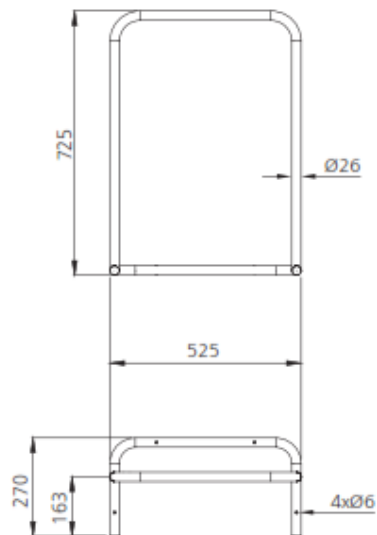
WH

Code

111503

- Robust tubular steel construction
- Sturdy floor mounted design
- Heavy duty floor fixing flanges
- Thick wall tubular construction

Floor mounted U-rail



Available colours

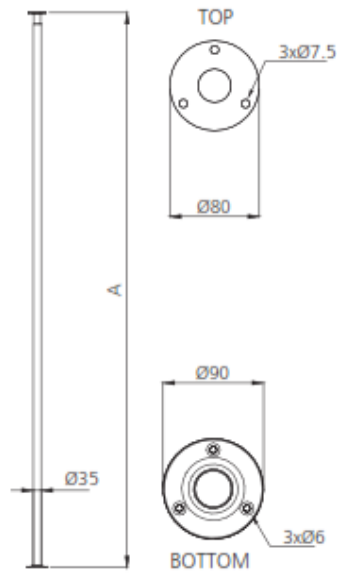
WH

Code

111504

- Robust steel construction
- Tubular frame for increased stability

Floor to ceiling pole



Available colours

WH

Code	A
111601	2400
111602	2700

- Robust mild steel construction
- Durable epoxy coating
- Telescopic design allows fitter to cut to correct height

Ribbed version

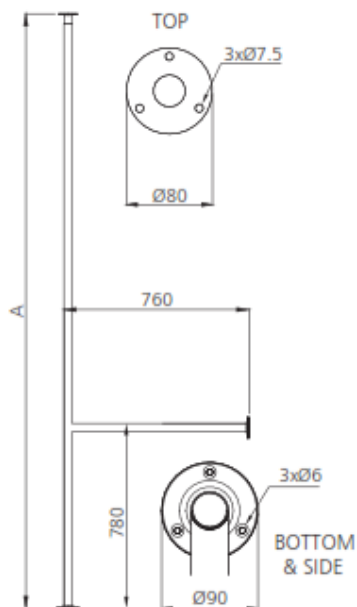
Available colours

WH

Code	A
111603	2400
111604	2700

- Fluted slip resistant grip

Floor to ceiling pole with return to wall



Available colours

WH

Code	A
111605	2700

- Robust mild steel construction
- Durable epoxy coating
- Telescopic design allows fitter to cut to correct height

Ribbed version

Available colours

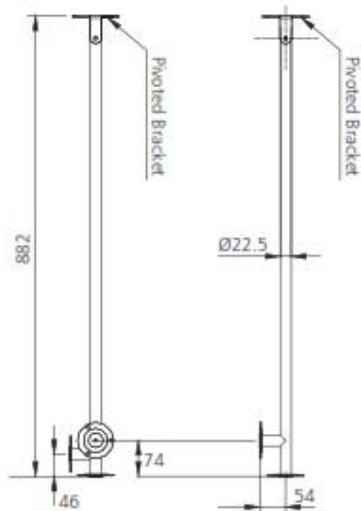
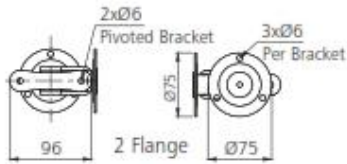
WH

Code	A
111606	2700

- Fluted slip resistant grip

Grab Rails

Two flange stair rail



3 Flange Stair Rail 2 Flange Stair Rail

Available colours: WH

Code
111701

- Robust steel construction
- Optional two or three flange design
- Durable epoxy polyester coating

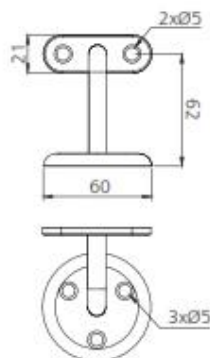
Three flange version

Available colours: WH

Code
111702

- Robust steel construction
- Optional two or three flange design
- Durable epoxy polyester coating

Hand rail bracket

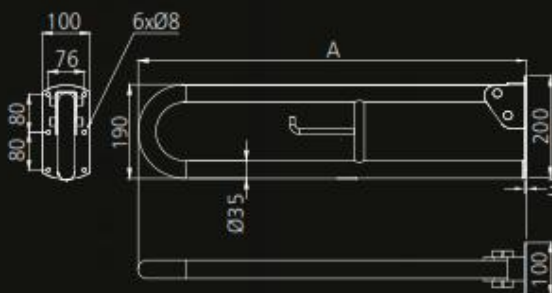


Available colours: WH Z

Code
111703

- Robust steel construction
- Designed to carry timber hand railing
- Stamped and welded for extra strength

Trombone hinged support rail



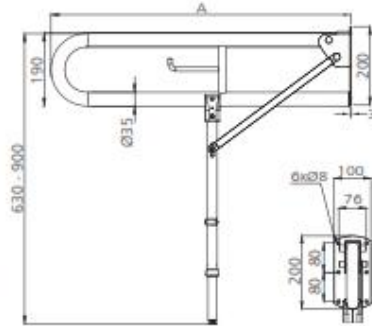
Code	A
112055	550
DDGR-B	800

Available colours	WH		
EB	DB	GY	DG

- Robust steel construction
- Lift and lock folding mechanism
- Two size options
- Integral toilet roll holder
- Durable epoxy polyester coating

Grab Rails

Trombone hinged support rail with leg



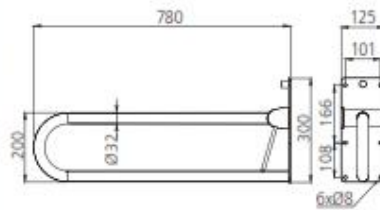
Available colours



Code	A
112155	550
DDGR-BP	800

- Adjustable folding support leg for extra strength with 25mm increments and fine adjustment using threaded foot
- Lift and lock folding mechanism
- Two size options

Spring loaded hinged support rail



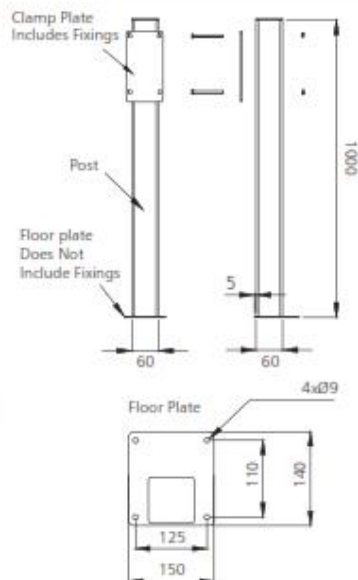
Available colours



Code
DDGR-ES

- Spring loaded folding mechanism with no lateral movement.

Floor mounting post and adaption kit for trombone hinged rail

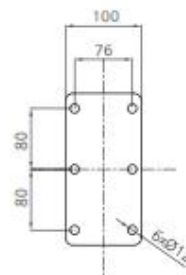


Available colours

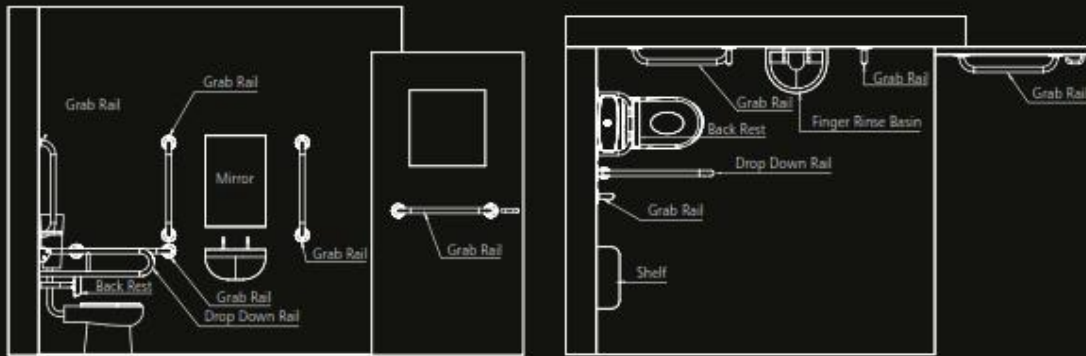


Code
112501

- For use with trombone hinged rail
- Ideal for use where wall substrate is unstable
- Hinged rail can be mounted at variable height



Doc M toilet packs



Part M of the Building Regulations clearly sets out how the various components that make up an accessible toilet are to be laid out. Please consult one of our team of experts for further guidance on how to comply with the latest regulations.

Rail only Doc M pack



Available colours



Code

BCCDMT-0

Contents

1 x DDGR-B 800mm Trombone hinged support rail

5 x GR24/35 600mm Round flange steel grab rails

- Simple one box solution
- High resistance to vandalism
- All components available as individual products for continuity of specification

Doc M

Rail only Doc M pack with back rest rail



Available colours

WH

DB

GY

Code

BLLDMT-0

Contents

1 x DDGR-B 800mm Trombone hinged support rail

5 x GR24/35 600mm Round flange steel grab rails

1 x BR255/SP 400mm Round flange back rest rail & pad

- Simple one box solution
- High resistance to vandalism
- All components available as individual products for continuity of specification
- Configured to suit low level, back to wall, or wall hung sanitary ware

Doc M shower seat with legs



Available colours

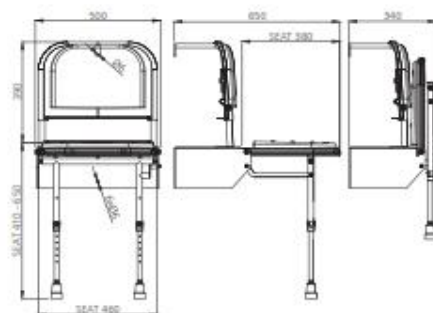
DB

GY

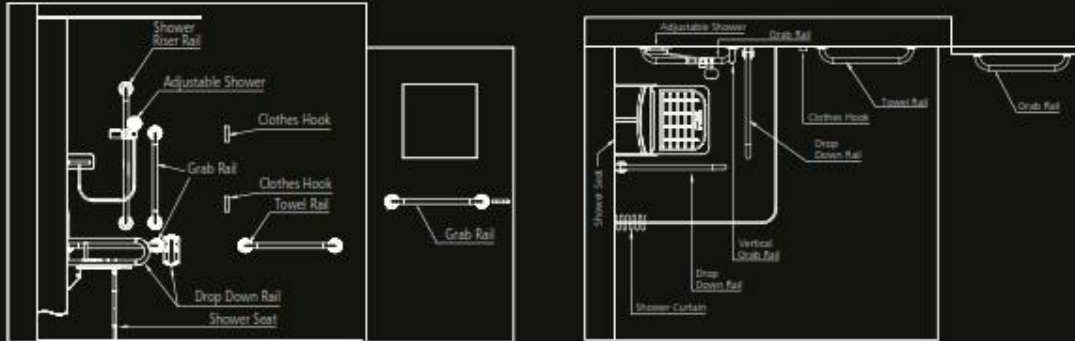
Code

SB-085

- Extra projection shower seat for easy transfer from chair
- Non-corrosive aluminium frame construction
- Closed cell structure PU pad for user comfort
- Height adjustable with both E-clip in 25mm increments and thread for fine adjustment



Shower packs



Part M of the Building Regulations set out specifically how the various component of an accessible washroom are to be installed. Please consult one of our team of experts for further guidance on how to comply with the latest regulations.

Rail only disabled shower pack



Available colours WH DB

Code
DMS-010

Contents
2 x DDGR-B 800mm Trombone hinged support rail
3 x GR24/35 600mm Round flange steel grab rail
1 x GR36/32 900mm Round flange steel grab rail
1 x 250401 Slider bracket
1 x 250502 1200 x 1200mm Shower rail
1 x 250608 3000 x 2000mm Shower curtain
1 x SB-085 Doc M Shower seat

- Simple one box solution
- High resistance to vandalism
- All components available as individual products for continuity of specification

Shower packs

Complete concealed disabled shower pack



Available colours

WH

DB

Code

DMS-300

Contents

1 x Concealed shower valve
1 x Elbow for shower hose
1 x Shower hose 2000mm
1 x Multi function shower head
2 x DDGR-B 800mm Trombone hinged support rail
3 x GR24/35 600mm Round flange steel grab rail
1 x GR36/32 900mm Round flange steel grab rail
1 x 250401 Slider bracket
1 x 250502 1200 x 1200mm Shower rail
1 x 250608 3000 x 2000mm Shower curtain
1 x SB-085 Doc M Shower seat

- High resistance to vandalism
- All components available as individual products for continuity of specification
- Concealed shower mixer included within pack
- One box solution

Complete exposed disabled shower pack



Available colours

WH

DB

Code

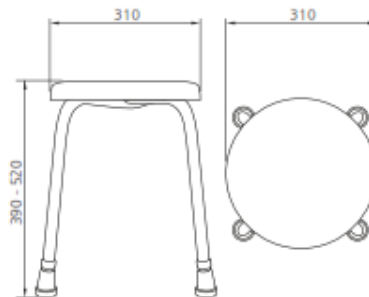
DMS-400

Contents

1 x Exposed shower valve
1 x Shower hose 2000mm
1 x Multi function shower head
2 x DDGR-B 800mm Trombone hinged support rail
3 x GR24/35 600mm Round flange steel grab rail
1 x GR36/32 900mm Round flange steel grab rail
1 x 250401 Slider bracket
1 x 250502 1200 x 1200mm Shower rail
1 x 250608 3000 x 2000mm Shower curtain
1 x SB-085 Doc M Shower seat

- High resistance to vandalism
- All components available as individual products for continuity of specification
- Exposed shower mixer for refurbishment projects
- One box solution

Compact round top shower stool

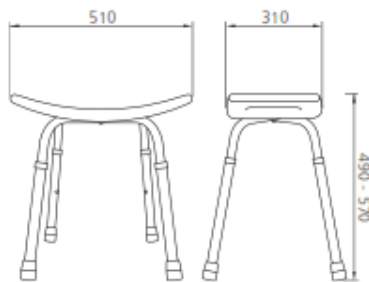


Available colours WH

Code
130001

- Height adjustable rust proof aluminium frame construction
- Stackable
- Non marking, non slip rubber feet

Contoured shower stool

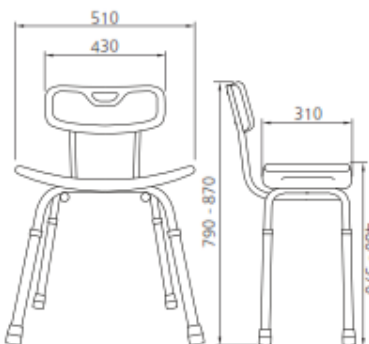


Available colours WH

Code
130002

- Height adjustable rust proof aluminium frame construction
- Non marking, non slip rubber feet

Contoured shower stool with back rest



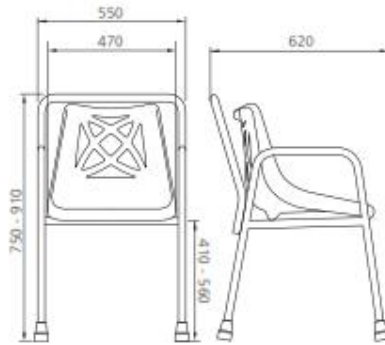
Available colours WH

Code
130003

- Height adjustable rust proof aluminium frame construction
- Non marking, non slip rubber feet

Showering

Standard shower chair

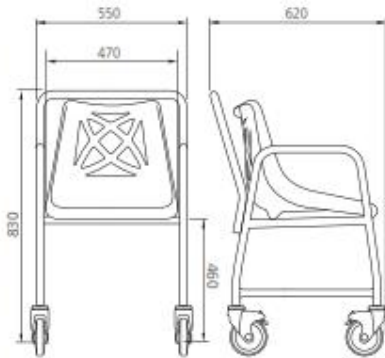


Available colours WH

Code
130101

- Robust plastic coated steel frame with integral arm rests
- Adjustable height
- Non marking, non slip rubber feet
- Stackable

Mobile shower chair

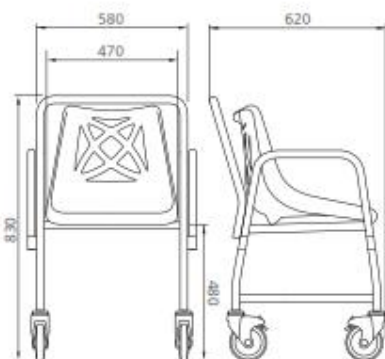


Available colours WH

Code
130102

- Robust plastic coated steel frame with integral arm rests
- Adjustable height
- Four braked castors for added safety

Mobile shower chair with removable arms

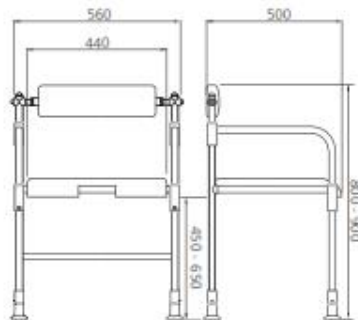


Available colours WH

Code
130103

- Robust plastic coated steel frame with removable arm rests
- Adjustable height
- Four braked castors for added safety

Fold away shower chair



Available colours

WH

Code

130104

- Robust plastic coated steel frame with integral arm rests
- Adjustable height
- Non marking, non slip rubber feet
- Folds flat for storage

Shower commode chair



Available colours

WH

Code

SB-060

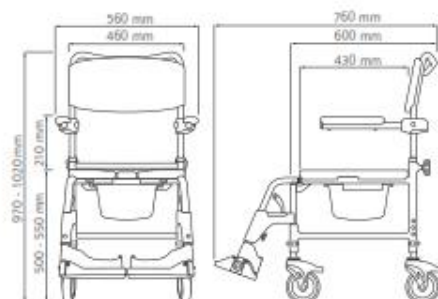
- Durable welded construction aluminium frame
- Height adjustable
- Removable and swing away leg rests with height and angle adjustment
- Four braked swivel castors
- Flip up padded arm rests
- PU padded seat
- Available with self propel upgrade kit or ready assembled self propelled version

Self propel conversion kit

Available colours

Code

SB-069



Showering

Self propel shower commode chair



Available colours

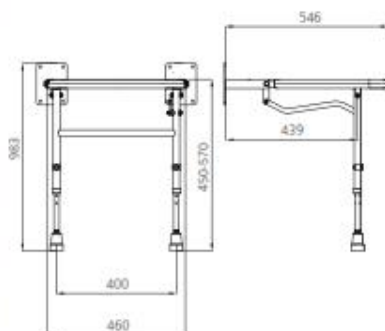
WH

Code

SB-061

- Durable welded construction aluminium frame
- Height adjustable
- Removable and swing away leg rests with height and angle adjustment
- Flip up padded arm rests
- PU padded seat

Wall mounted shower seat with legs



Available colours

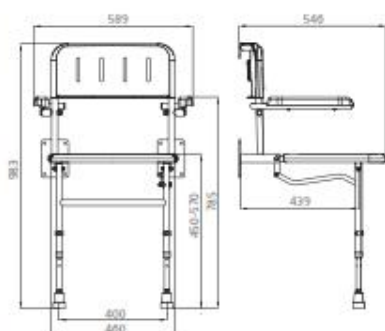
WH

Code

130202

- Non corrosive aluminium frame construction
- Clip on plastic moulded seat
- Adjustable legs with both E-clip adjustment in 25mm increments and fine adjustment

Wall mounted shower seat with back, arms and legs



Available colours

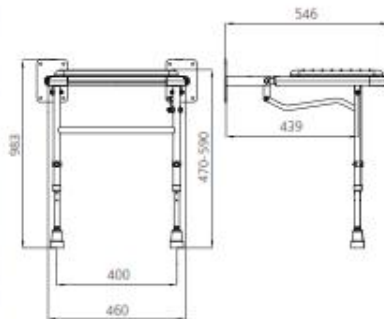
WH

Code

130203

- Rust proof aluminium frame construction
- Padded fold down arm rests
- Clip on durable moulded plastic seat
- Adjustable legs with both E-clip adjustment in 25mm increments and fine adjustment

Wall mounted padded shower seat with legs



Available colours

EB

DB

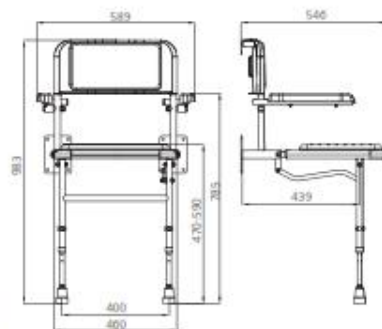
GY

Code

130204

- Sturdy white epoxy coated aluminium frame
- Closed cell structure PU pad for user comfort
- Adjustable legs with both E-clip adjustment in 25mm increments and fine adjustment
- Clip on plastic moulded seat

Wall mounted padded shower seat with back, arms and legs



Available colours

EB

DB

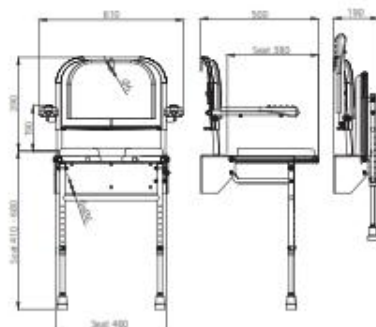
GY

Code

130205

- Sturdy white epoxy coated aluminium frame
- Closed cell structure PU pad for user comfort
- Adjustable legs with both E-clip adjustment in 25mm increments and fine adjustment
- Clip on plastic moulded seat
- Padded fold down arm rests

Wall mounted padded horseshoe shower seat with back, arms and legs



Available colours

GY

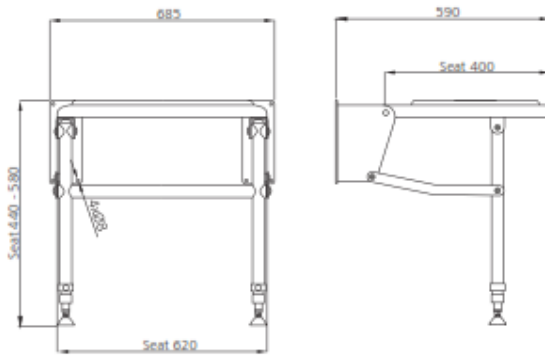
Code

SB-082

- Clip on plastic moulded horseshoe seat
- Sturdy white epoxy coated aluminium frame
- Closed cell structure PU pad for user comfort
- Adjustable legs with both E-clip adjustment in 25mm increments and fine adjustment
- Padded fold down arm rests

Showering

Extra wide wall mounted padded shower seat with legs

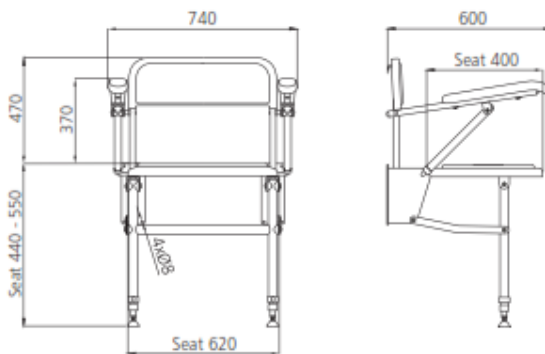


Available colours EB

Code
130207

- Sturdy white epoxy coated reinforced aluminium frame
- Adjustable legs with both E-clip adjustment in 25mm increments and fine adjustment
- Clip on plastic moulded seat

Extra wide wall mounted padded shower seat with back, arms and legs

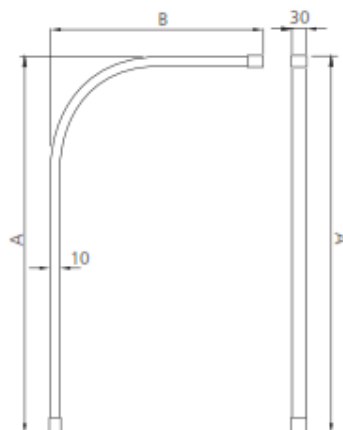
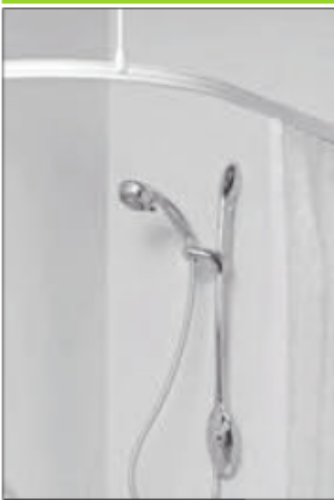


Available colours EB

Code
130208

- Sturdy white epoxy coated reinforced aluminium frame
- Adjustable legs with both E-clip adjustment in 25mm increments and fine adjustment
- Clip on plastic moulded seat
- Padded fold down arm rests

Shower curtain track



Available colours WH

L-Shaped	A	B
130301	1000	1000
130302	1200	1200
130303	1500	1200
130304	1830	760

Straight	A
130305	2430

- High quality aluminium track
- Designed to eliminate dust and dirt traps
- Supplied with wall brackets, ceiling stay and concealed runners
- Can be trimmed down to required length

Flexible shower curtain track



Available colours

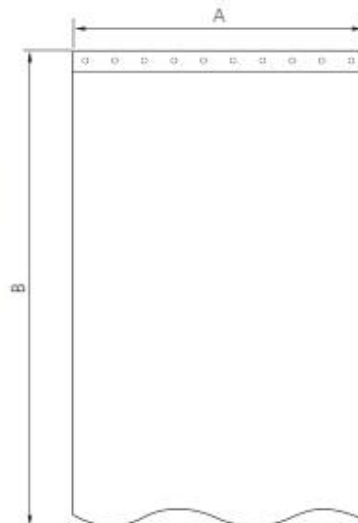
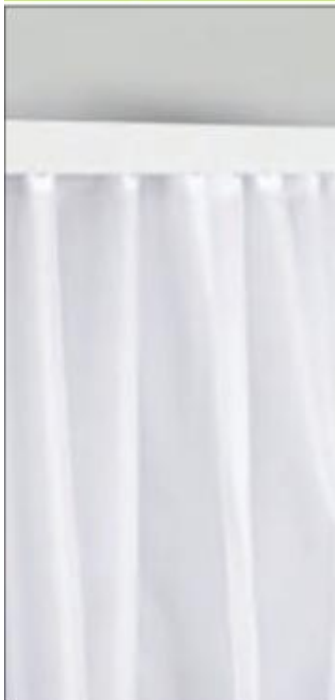
WH

Code

130307 2400

- High quality aluminium track which can be bent by hand on site
- Designed to eliminate dust and dirt traps
- Supplied with wall brackets, ceiling stay and concealed runners
- Can be trimmed down to required length

Shower curtain



Available colours

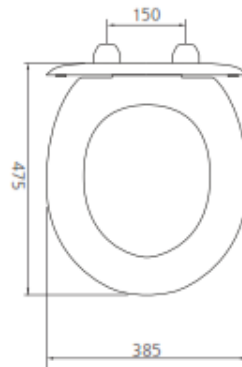
WH

Code	A	B
250602	1800	1800
250603	1800	2000
250605	2000	2000
250606	2200	2000
250607	2500	2000
250608	3000	2000

- Durable weighted polyester material
- Easy to clean
- Range of standard sizes to suit most configurations

Washroom

Toilet seat with lid c/w plastic hinges



Available colours

WH

EB

Code

140002

- Durable plastic construction
- Easy to install

Spatula cistern lever



Available colours

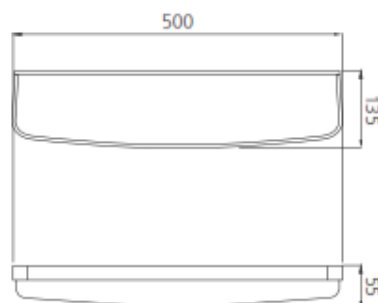
cs

Code

140101

- Easy operation for users with limited dexterity
- Suitable for most cisterns
- Durable chrome plated finish

Colostomy bag shelf



Available colours

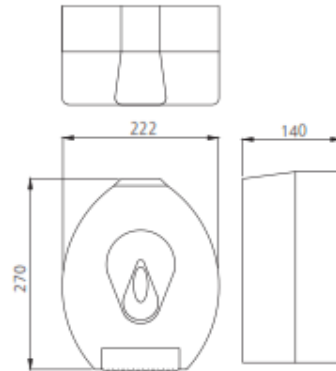
WH

Code

140201

- Anti microbial duraplast construction
- Tough burn resistance surface
- UV stabilised to prevent discolouration

Toilet roll dispenser



Available colours

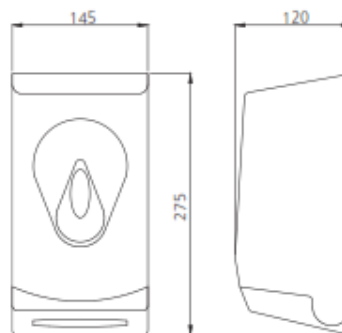
WH

Code

140301

- Robust ABS plastic construction
- Refillable using industry standard paper rolls
- Locking mechanism
- Visual indicator to show paper level

Toilet tissue dispenser



Available colours

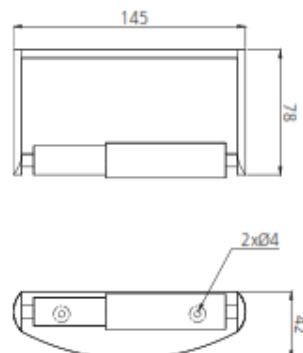
WH

Code

140401

- Robust ABS plastic construction
- Locking mechanism
- Visual indicator to show paper level

Toilet roll holder



Available colours

CS

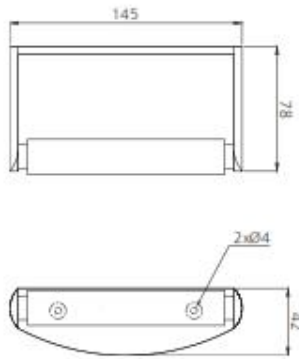
Code

140501

- Robust zinc die cast construction
- White plastic roller

Washroom

Lockable toilet roll holder

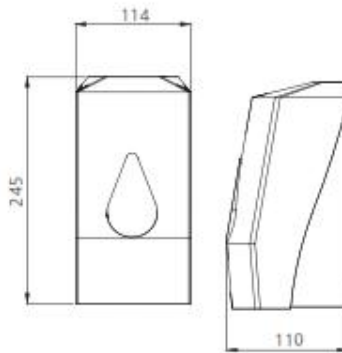


Available colours

Code
140502

- Robust zinc die cast construction
- Lockable plastic roller

Soap dispenser

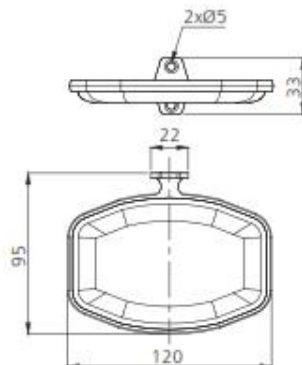


Available colours

Code
140601

- Robust ABS plastic construction
- Locking mechanism
- Visual indicator to show soap level

Soap dish

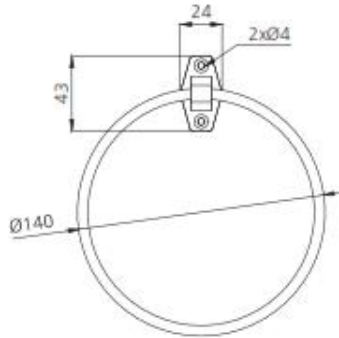


Available colours

Code
140701

- Robust zinc die cast construction
- Removable white plastic liner

Towel ring

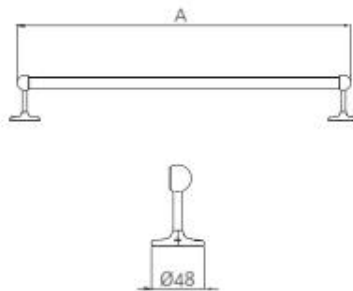


Available colours

Code
140801

- Chrome plated towel ring
- Zinc die cast bracket

Towel rail

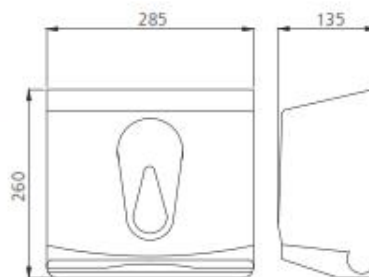


Available colours

Code	A
140901	450
140902	600

- Rust proof stainless steel towel rail
- Die cast zinc brackets

Paper towel dispenser



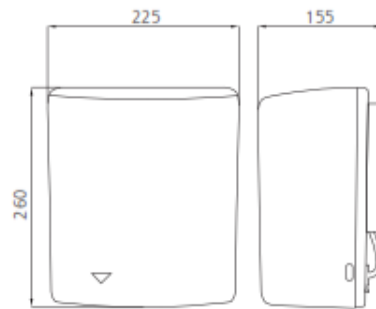
Available colours WH

Code
141001

- Robust ABS plastic construction
- Locking mechanism
- Visual indicator to show paper level

Washroom

Warm air dryer



Available colours

WH

Code

141101

- Sensor operated
- Durable white enamelled steel construction
- 2.4kw, 230/240v power

Glass mirror



Available colours

Code

141301

A

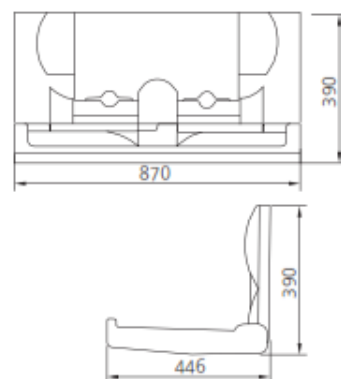
1000

141302

700

- Bevelled edge
- Safety backed
- Four pre-drilled holes for ease of fitting

Horizontal baby changing unit



Available colours

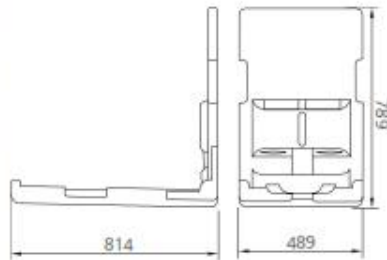
WH

Code

141601

- High density polyethylene construction for strength and easy cleaning
- Integral safety belt
- Pneumatic gas strut on hinge for smooth opening and closing
- Complies with BS12221 standards
- Includes integral liner dispenser

Vertical baby changing unit

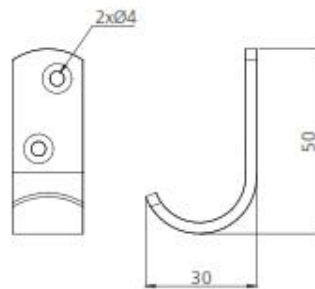


Available colours WH

Code
141602

- High density polyethylene construction for strength and easy cleaning
- Integral safety belt
- Pneumatic gas strut on hinge for smooth opening and closing
- Complies with BS12221 standards
- Includes integral liner dispenser

Single robe hook

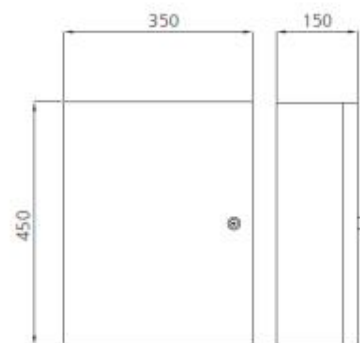


Available colours WH EB DB GY

Code
141701

- Aluminium construction
- Colour options available for visually impaired

Washroom cabinet - lockable



Available colours WH

Code
141802

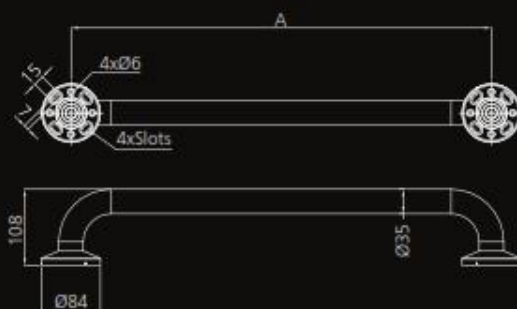
- Robust steel construction
- Epoxy powder coated
- Lockable door

Grab Rails

Aluminium grab rail with concealed fixings

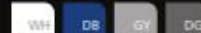


This range of aluminium grab rails is perfectly suited to high use healthcare environments. The stainless steel fixing covers offer durability and complete flexibility on coating options while the durable nylon flange eliminates the need for earth bonding. This range is available with our unique 'Nyma®Guard' anti-microbial coating for healthcare environments.



Code	A
210030	300
210040	400
210045	450
210050	500
210060	600
210075	750
210090	900

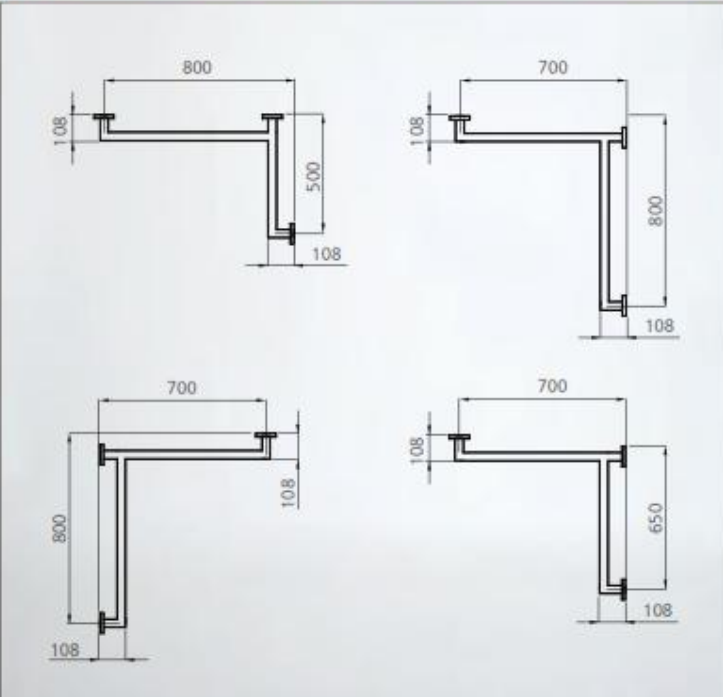
Available colours



- Non-corrosive aluminium construction
- No electrical earthing required
- Durable stainless steel flange covers to conceal wall fixings

Grab Rails

Bespoke aluminium grab rail with concealed fixings



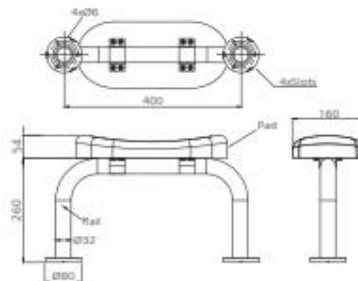
Available colours: WH, DB, GY, DG

Code: **210000**

- Manufactured to clients requirements
- Non-corrosive aluminium construction
- No electrical earthing required
- Durable stainless steel flange covers to conceal wall fixings

Please note: The technical drawings show a small selection of bespoke rails we have manufactured, please contact the sales team for more information on how we can accommodate your requirements.

Aluminium back rest rail and pad with concealed fixings

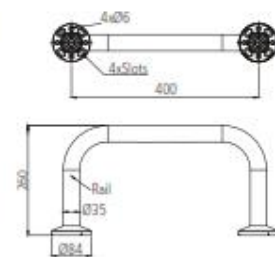


Available colours: WH, DB, GY, DG

Code: **210401**

- Non-corrosive aluminium construction
- Durable wipe clean pad
- Durable stainless steel flange covers to conceal wall fixings

Aluminium back rest rail with concealed fixings



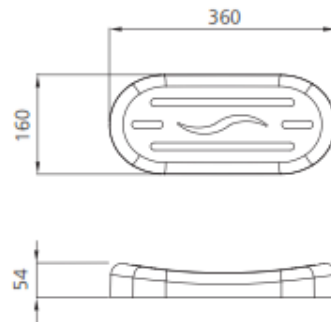
Available colours: WH, DB, GY, DG

Code: **210402**

- Non-corrosive aluminium construction
- Durable wipe clean pad
- Durable stainless steel flange covers to conceal wall fixings

Grab Rails

Universal back rest pad



Available colours

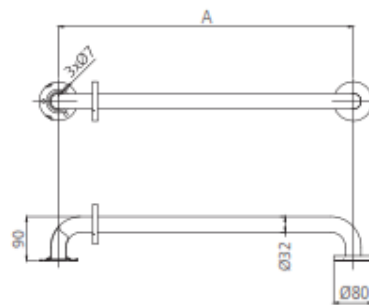
WH

Code

BR/SP

- Durable wipe-clean PU construction
- Steel clips for rail mounting on either 32mm or 35mm rails
- Hygienic design to minimise dirt traps

Stainless steel grab rail with concealed fixings



Available colours

SP

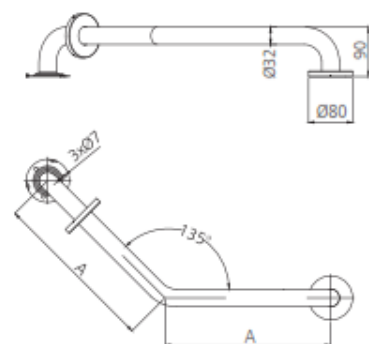
SS

Code

Code	A
GR 12/32C	300
GR 18/32C	450
GR 24/32C	600
211075	750
211090	900

- Non-corrosive 304 grade stainless steel construction
- Flange covers to conceal wall fixings
- Choice of lengths and configurations
- Two finish options

Stainless steel 135° cranked grab rail with concealed fixings



Available colours

SP

SS

Code

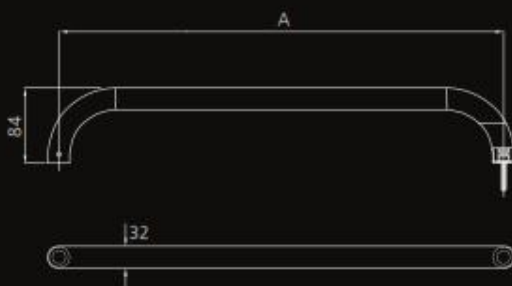
Code	A
211130	300
211160	600
211190	900

- Non-corrosive 304 grade stainless steel construction
- Flange covers to conceal wall fixings
- Choice of lengths and configurations
- Two finish options

Stainless steel flangeless grab rail



This range has been designed to not only look more aesthetically pleasing, but also to eliminate dirt traps for healthcare environments. A wide range of colours and finishes gives scope to match with existing specifications.



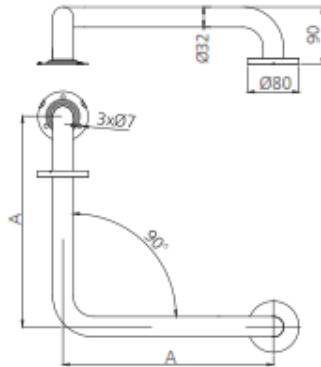
Code	A
213030	300
213040	400
213045	450
213050	500
213060	600
213075	750
213090	900



- Designed to eliminate dirt traps
- Flangeless wall fixing
- Non-corrosive 304 grade stainless steel tubular construction
- Choice of fixing kits for various wall materials
- Also available in 316 stainless steel

Grab Rails

Stainless steel 90° angled grab rail with concealed fixings



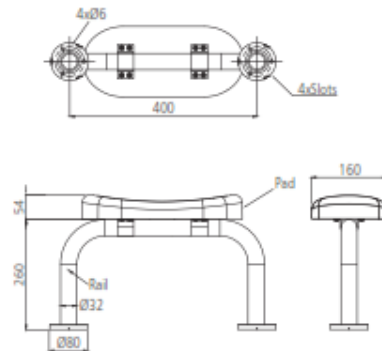
Available colours



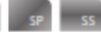
Code	A
211245	450
211260	600

- Non-corrosive 304 grade stainless steel construction
- Flange covers to conceal wall fixings
- Choice of lengths and configurations
- Two finish options

Stainless steel back rest rail and pad with concealed fixings



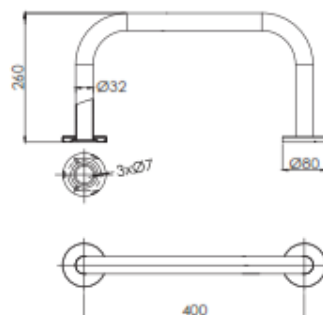
Available colours



Code
211301

- Non-corrosive 304 grade stainless steel construction
- Durable wipe clean pad
- Flange covers to conceal wall fixings
- Choice of two finishes

Stainless steel back rest rail with concealed fixings



Available colours

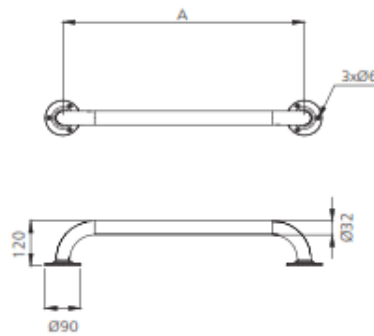


Code
211302

- Non-corrosive 304 grade stainless steel construction
- Durable wipe clean pad
- Flange covers to conceal wall fixings
- Choice of two finishes

Grab Rails

Exposed fixing stainless steel grab rail



Available colours

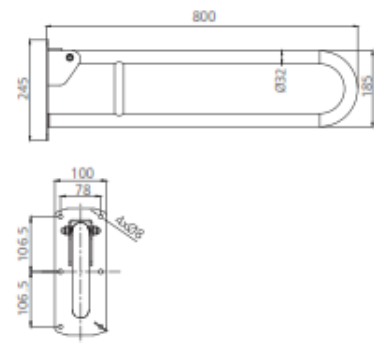
WH DB GY

DG SP

Code	A
GR 12/32	300
GR 18/32	450
GR 26/32	660

- Non-corrosive 304 grade stainless steel tubular construction
- Choice of finishes available

Stainless steel friction hinged support rail



Available colours

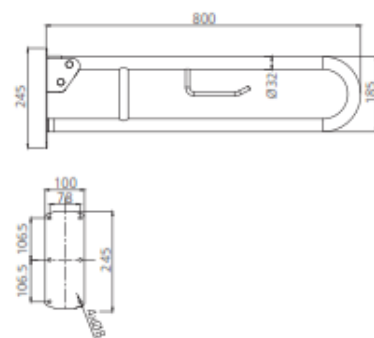
WH DB GY

DG SP SS

Code	211080
------	--------

- Friction hinge mechanism to eliminate lateral movement
- Non-corrosive 304 grade stainless steel construction
- Plastic screw caps available to conceal wall fixings

Stainless steel hinged support rail with toilet roll holder



Available colours

WH DB GY

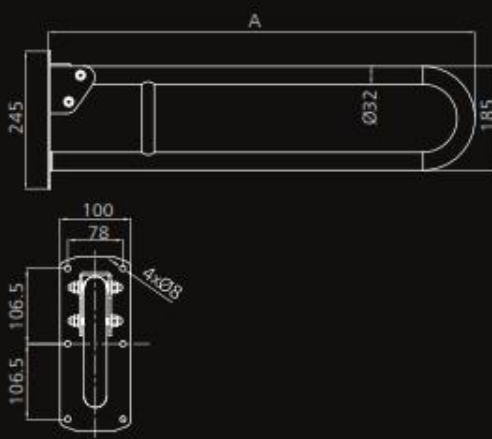
DG SP SS

Code	211480
------	--------

- Non-corrosive 304 grade stainless steel tubular construction
- Lift and lock hinge mechanism with minimal lateral movement
- Plastic screw caps available to conceal wall fixings
- Integral toilet roll holder

Grab Rails

Stainless steel hinged support rail



Available colours



Code	A
211865	650
211880	800

- Non-corrosive 304 grade stainless steel tubular construction
- Lift and lock hinge mechanism with minimal lateral movement
- Plastic covers for wall fixings available

Grab Rails

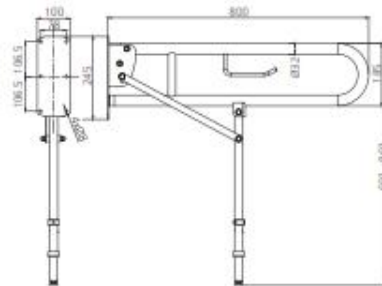
Stainless steel hinged support rail with leg and toilet roll holder



Available colours	WH	DB	GY
	DG	SP	SS

Code
211580

- Non-corrosive 304 grade st/steel construction
- Lift and lock hinge mechanism with minimal lateral movement
- Plastic covers for wall fixings available
- Adjustable folding support leg for extra strength with 25mm increments and fine adjustment using threaded foot



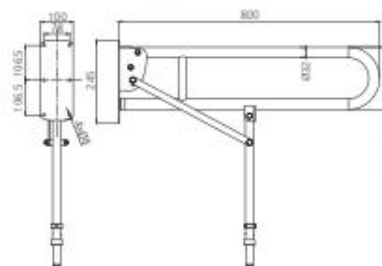
Stainless steel hinged support rail with leg



Available colours	WH	DB	GY
	DG	SP	SS

Code	A
211965	650
211980	800

- Non-corrosive 304 grade st/steel construction
- Lift and lock hinge mechanism with minimal lateral movement
- Plastic covers for wall fixings available
- Adjustable folding support leg for extra strength with 25mm increments and fine adjustment using threaded foot



Grab Rails

Removable toilet roll holder for 32mm diameter hinged grab rail



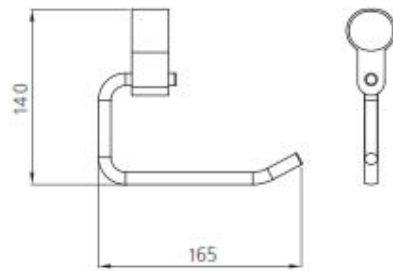
Available colours



Code

211000

- Easy to fit clip on design
- Durable nylon and stainless steel construction
- Can be positioned on rail to suit user



Stainless steel floor mounting post and adaption kit for hinged rail



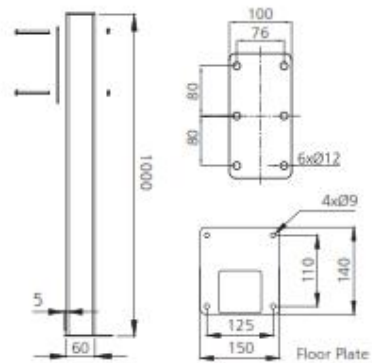
Available colours



Code

211001

- Ideal for use where wall substrate is unstable
- Hinged rail can be mounted at variable height



Doc M - Toilet packs

Stainless steel rail only Doc M pack



Available colours



Code

230001

Contents

1 x 211880 800mm Stainless steel hinged support rail

4 x GR 24/32C 600mm Stainless steel grab rails

1 x GR 18/32C 450mm Stainless steel grab rail

- Simple one box solution
- High resistance to vandalism
- Choice of two finish options
- All components available as individual products for continuity of specification
- Removable toilet roll holder available
- Corrosion resistant 304 grade stainless steel construction

Aluminium rail only Doc M pack



Available colours



Code

230001

Contents

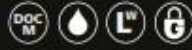
1 x 211880 800mm Stainless steel hinged support rail

4 x 210060 600mm Aluminium grab rails

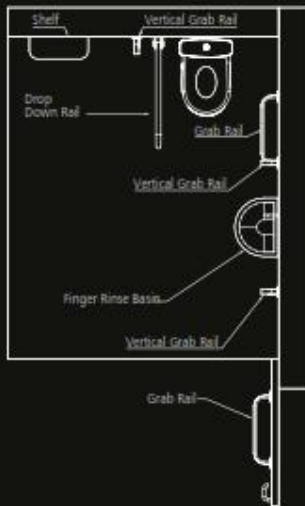
1 x 210045 450mm Aluminium grab rail

- Simple one box solution
- High resistance to vandalism
- Choice of colour options for visually impaired
- All components available as individual products for continuity of specification
- Removable toilet roll holder available
- Highly durable aluminium construction grab rails
- Corrosion resistant stainless steel hinged rail

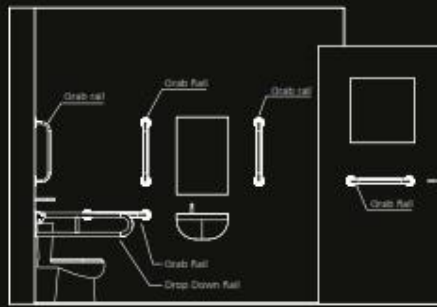
Left and right handed Doc M toilet packs



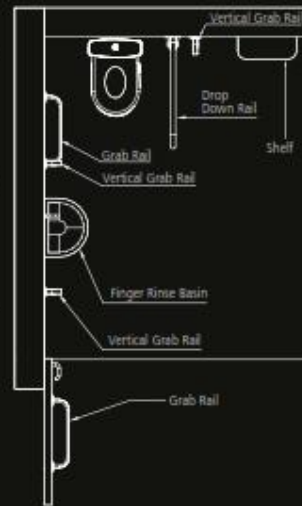
Left hand



Side View



Right hand



The objective of Part M of the Building Regulations is to ensure buildings other than dwellings have suitable toilet accommodation for everybody, including wheelchair users, ambulant disabled people, and people of all age groups. Within the Nyma[®]CARE range, each Doc M Toilet pack has been carefully assembled to achieve this objective in a single boxed solution.



Doc M - Toilet packs

Close coupled Doc M pack - stainless steel grab rails



Available colours



Code

230011	Left hand
230015	Right hand

Contents

4 x GR 24/32C 600mm Stainless steel grab rail
1 x GR 18/32C 450mm Stainless steel grab rail
1 x 211880 Stainless steel hinged grab rail
1 x Close coupled rimless WC pan with cistern assembly
1 x Single tap hole basin
1 x TMV3 thermostatic basin mixer
1 x Spatula cistern lever

- Hygienic extended projection rimless WC pan
- TMV3 approved thermostatic basin mixer
- Complete one box solution to meet Doc M and B58300
- Water saving cistern and spatula lever
- All components available as individual products for continuity of specification
- Rust resistant 304 grade stainless steel grab rails with concealed fixings
- Optional toilet roll holder for hinged rail

Close coupled Doc M pack - aluminium grab rails



Available colours



Code

230011	Left hand
230015	Right hand

Contents

4 x 210060 600mm Aluminium grab rail
1 x 210045 450mm Aluminium grab rail
1 x 211880 Stainless steel hinged grab rail
1 x Close coupled rimless WC pan with cistern assembly
1 x Single tap hole basin
1 x TMV3 thermostatic basin mixer
1 x Spatula cistern lever

- Hygienic extended projection rimless WC pan
- TMV3 approved thermostatic basin mixer
- Complete one box solution to meet Doc M and B58300
- Water saving cistern and spatula lever
- All components available as individual products for continuity of specification
- Rust resistant aluminium grab rails with concealed fixings
- Optional toilet roll holder for hinged rail

Doc M - Toilet packs

Back to wall Doc M pack - stainless steel grab rails



Available colours



Code

230031	Left hand
230035	Right hand

Contents

4 x GR 24/32C 600mm Stainless steel grab rail
1 x GR 18/32C 450mm Stainless steel grab rail
1 x 211880 Stainless steel hinged grab rail
1 x Back to wall rimless WC pan
1 x Single tap hole basin
1 x Concealed cistern assembly with spatula lever
1 x TMV3 thermostatic basin mixer
1 x 211301 Stainless steel back rest rail and PU pad

- Hygienic extended projection rimless back to wall WC pan
- TMV3 approved thermostatic basin mixer
- Complete one box solution to meet Doc M and BS8300
- Water saving concealed cistern and spatula lever
- All components available as individual products for continuity of specification
- Rust resistant 304 grade stainless steel grab rails with concealed fixings
- Optional toilet roll holder for hinged rail

Back to wall Doc M pack - aluminium grab rails



Available colours



Code

230031	Left hand
230035	Right hand

Contents

4 x 210060 600mm Aluminium grab rail
1 x 210045 450mm Aluminium grab rail
1 x 211880 Stainless steel hinged grab rail
1 x Back to wall rimless WC pan
1 x Single tap hole basin
1 x Concealed cistern assembly with spatula lever
1 x TMV3 thermostatic basin mixer
1 x 210401 Aluminium back rest rail and PU pad

- Hygienic extended projection rimless back to wall WC pan
- TMV3 approved thermostatic basin mixer
- Complete one box solution to meet Doc M and BS8300
- Water saving concealed cistern and spatula lever
- All components available as individual products for continuity of specification
- Rust resistant aluminium grab rails with concealed fixings
- Optional toilet roll holder for hinged rail

Doc M - Toilet packs

Stainless steel wall hung Doc M pack - stainless steel grab rails



Available colours



Code

230041	Left hand
230045	Right hand

Contents

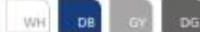
4 x GR 24/32C 600mm Stainless steel grab rail
1 x GR 18/32C 450mm Stainless steel grab rail
1 x 211880 Stainless steel hinged grab rail
1 x Wall hung rimless WC pan
1 x Concealed cistern assembly with spatula lever
1 x Single tap hole basin
1 x TMV3 thermostatic basin mixer
1 x 211301 Stainless steel back rest rail and PU pad

- Hygienic extended projection rimless wall hung WC pan
- TMV3 approved thermostatic basin mixer
- Complete one box solution to meet Doc M and BS8300
- Water saving concealed cistern and spatula lever
- All components available as individual products for continuity of specification
- Rust resistant 304 grade stainless steel grab rails with concealed fixings
- Optional toilet roll holder for hinged rail

Wall hung Doc M pack - aluminium grab rails



Available colours



Code

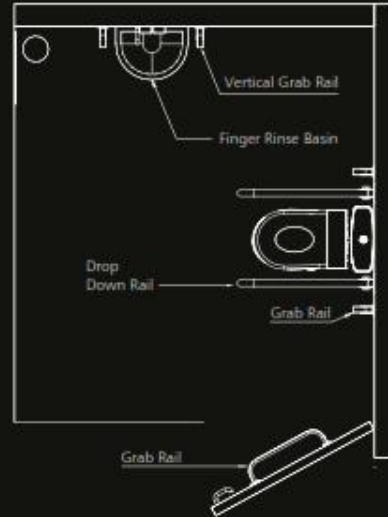
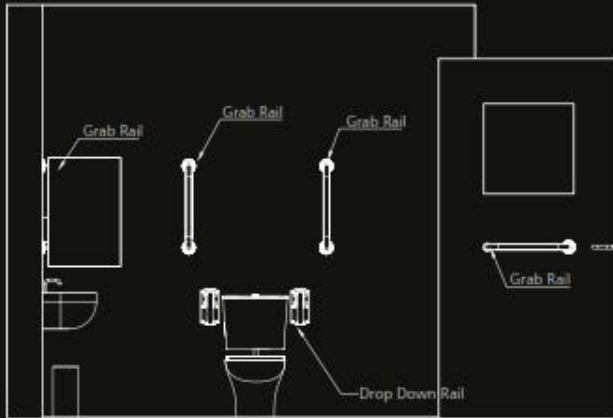
230041	Left hand
230045	Right hand

Contents

4 x 210060 600mm Aluminium grab rail
1 x 210045 450mm Aluminium grab rail
1 x 211880 Stainless steel hinged grab rail
1 x Wall hung rimless WC pan
1 x Concealed cistern assembly with spatula lever
1 x Single tap hole basin
1 x TMV3 thermostatic basin mixer
1 x 210401 Aluminium back rest rail and PU pad

- Hygienic extended projection rimless wall hung WC pan
- TMV3 approved thermostatic basin mixer
- Complete one box solution to meet Doc M and BS8300
- Water saving concealed cistern and spatula lever
- All components available as individual products for continuity of specification
- Rust resistant aluminium grab rails with concealed fixings
- Optional toilet roll holder for hinged rail

Peninsular Doc M toilet packs



Doc M - Toilet packs

Peninsular close coupled Doc M pack - stainless steel grab rails



Available colours



Code

230010

Contents

4 x GR 24/32C 600mm Stainless steel grab rail
1 x GR 18/32C 450mm Stainless steel grab rail
2 x 211880 Stainless steel hinged grab rail
1 x Close coupled rimless WC pan with cistern assembly
1 x Single tap hole basin
1 x TMV3 thermostatic basin mixer
1 x Spatula cistern lever

- Hygienic extended projection rimless WC pan
- TMV3 approved thermostatic basin mixer
- Peninsular layout to allow side transfer from either side of WC
- Complete one box solution to meet Doc M and BS8300
- Water saving cistern and spatula lever
- All components available as individual products for continuity of specification
- Rust resistant 304 grade stainless steel grab rails with concealed fixings
- Optional toilet roll holder for hinged rail

Peninsular close coupled Doc M pack - aluminium grab rails



Available colours



Code

230010

Contents

4 x 210060 600mm Aluminium grab rail
1 x 210045 450mm Aluminium grab rail
2 x 211880 Stainless steel hinged grab rail
1 x Close coupled rimless WC pan with cistern assembly
1 x Single tap hole basin
1 x TMV3 thermostatic basin mixer
1 x Spatula cistern lever

- Hygienic extended projection rimless WC pan
- TMV3 approved thermostatic basin mixer
- Peninsular layout to allow side transfer from either side of WC
- Complete one box solution to meet Doc M and BS8300
- Water saving cistern and spatula lever
- All components available as individual products for continuity of specification
- Rust resistant aluminium grab rails with concealed fixings
- Optional toilet roll holder for hinged rail

Peninsular back to wall Doc M pack - stainless steel grab rails



Available colours



Code

230030

Contents

4 x GR 24/32C 600mm Stainless steel grab rail
1 x GR 18/32C 450mm Stainless steel grab rail
2 x 211880 Stainless steel hinged grab rail
1 x Back to wall rimless WC pan
1 x Concealed cistern assembly with spatula lever
1 x Single tap hole basin
1 x TMV3 thermostatic basin mixer
1 x 211301 Stainless steel back rest rail and PU pad

- Hygienic extended projection rimless back to wall WC pan
- TMV3 approved thermostatic basin mixer
- Peninsular layout to allow side transfer from either side of WC
- Complete one box solution to meet Doc M and BS8300
- Water saving concealed cistern and spatula lever
- All components available as individual products for continuity of specification
- Rust resistant 304 grade stainless steel grab rails with concealed fixings
- Optional toilet roll holder for hinged rail

Peninsular back to wall Doc M pack - aluminium grab rails



Available colours



Code

230030

Contents

4 x 210060 600mm Aluminium grab rail
1 x 210045 450mm Aluminium grab rail
2 x 211880 Stainless steel hinged grab rail
1 x Back to wall rimless WC pan
1 x Concealed cistern assembly with spatula lever
1 x Single tap hole basin
1 x TMV3 thermostatic basin mixer
1 x 210401 Aluminium back rest rail and PU pad

- Hygienic extended projection rimless back to wall WC pan
- Peninsular layout to allow side transfer from either side of WC
- Complete one box solution to meet Doc M and BS8300
- TMV3 approved thermostatic basin mixer
- Water saving concealed cistern and spatula lever
- All components available as individual products for continuity of specification
- Rust resistant aluminium grab rails with concealed fixings
- Optional toilet roll holder for hinged rail

Doc M - Toilet packs

Peninsular wall hung Doc M pack - stainless steel grab rails



Available colours



Code

230040

Contents

4 x GR 24/32C 600mm Stainless steel grab rail
1 x GR 18/32C 450mm Stainless steel grab rail
2 x 211880 Stainless steel hinged grab rail
1 x Wall hung rimless WC pan
1 x Concealed cistern assembly with spatula lever
1 x Single tap hole basin
1 x TMV3 thermostatic basin mixer
1 x 211301 Stainless steel back rest rail and PU pad

- Hygienic extended projection rimless wall hung WC pan
- TMV3 approved thermostatic basin mixer
- Peninsular layout to allow side transfer from either side of WC
- Complete one box solution to meet Doc M and BS8300
- Water saving concealed cistern and spatula lever
- All components available as individual products for continuity of specification
- Rust resistant 304 grade stainless steel grab rails with concealed fixings
- Optional toilet roll holder for hinged rail

Peninsular wall hung Doc M pack - aluminium grab rails



Available colours



Code

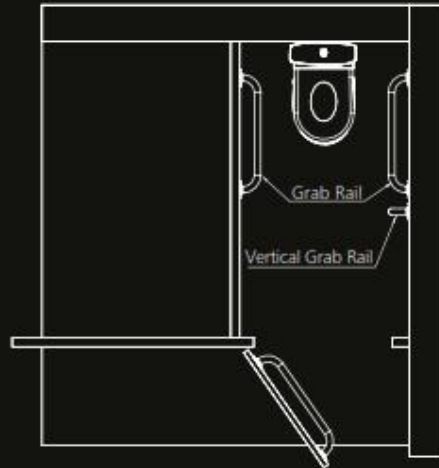
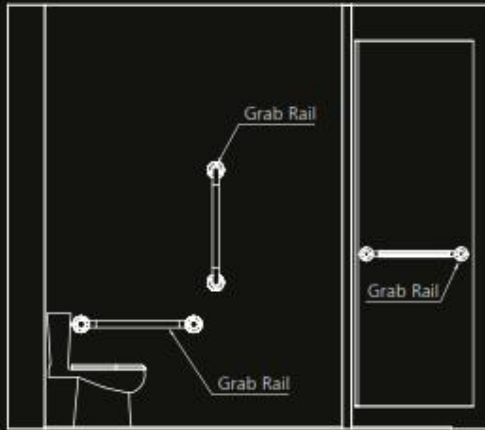
230040

Contents

4 x 210060 600mm Aluminium grab rail
1 x 210045 450mm Aluminium grab rail
2 x 211880 Stainless steel hinged grab rail
1 x Wall hung rimless WC pan
1 x Concealed cistern assembly with spatula lever
1 x Single tap hole basin
1 x TMV3 thermostatic basin mixer
1 x 210401 Aluminium back rest rail and PU pad

- Hygienic extended projection rimless wall hung WC pan
- TMV3 approved thermostatic basin mixer
- Peninsular layout to allow side transfer from either side of WC
- Complete one box solution to meet Doc M and BS8300
- Water saving concealed cistern and spatula lever
- All components available as individual products for continuity of specification
- Rust resistant aluminium grab rails with concealed fixings
- Optional toilet roll holder for hinged rail

Ambulant Doc M toilet packs



Doc M - Toilet packs

Ambulant close coupled Doc M pack - stainless steel grab rails



Available colours



Code

230019

Contents

2 x GR 24/32C 600mm Stainless steel grab rail
1 x GR 18/32C 450mm Stainless steel grab rail
1 x Close coupled rimless WC pan - cistern assembly
1 x Spatula cistern lever

- Hygienic extended projection rimless close coupled WC pan
- Complete one box solution to meet Doc M
- Water saving cistern and spatula lever
- All components available as individual products for continuity of specification
- Rust resistant 304 grade stainless steel grab rails with concealed fixings

Ambulant close coupled Doc M pack - aluminium grab rails



Available colours



Code

230019

Contents

2 x 210060 600mm Aluminium grab rail
1 x 210045 450mm Aluminium grab rail
1 x Close coupled rimless WC pan - cistern assembly
1 x Spatula cistern lever

- Hygienic extended projection rimless close coupled WC pan
- Complete one box solution to meet Doc M
- Water saving cistern and spatula lever
- All components available as individual products for continuity of specification
- Rust resistant aluminium grab rails with concealed fixings

Doc M - Toilet packs

Ambulant back to wall Doc M pack - stainless steel grab rails



Available colours



Code

230039

Contents

2 x GR 24/32C 600mm Stainless steel grab rail
1 x GR 18/32C 450mm Stainless steel grab rail
1 x Back to wall rimless WC pan - concealed cistern assembly
1 x 211301 Stainless steel back rest rail and PU pad

- Hygienic extended projection rimless back to wall WC pan
- Complete one box solution to meet Doc M
- Water saving concealed cistern with spatula lever
- All components available as individual products for continuity of specification
- Rust resistant 304 grade stainless steel grab rails with concealed fixings

Ambulant back to wall Doc M pack - aluminium grab rails



Available colours



Code

230039

Contents

2 x 210060 600mm Aluminium grab rail
1 x 210045 450mm Aluminium grab rail
1 x Back to wall rimless WC pan - concealed cistern assembly
1 x 210401 Aluminium back rest rail and PU pad

- Hygienic extended projection rimless back to wall WC pan
- Complete one box solution to meet Doc M
- Water saving concealed cistern and spatula lever
- All components available as individual products for continuity of specification
- Rust resistant aluminium grab rails with concealed fixings

Doc M - Toilet packs

Ambulant wall hung Doc M pack - stainless steel grab rails



Available colours



Code

230049

Contents

2 x GR 24/32C 600mm Stainless steel grab rail
1 x GR 18/32C 450mm Stainless steel grab rail
1 x Wall hung rimless WC pan - concealed cistern assembly
1 x 211301 Stainless steel back rest rail and PU pad

- Hygienic extended projection rimless wall hung WC pan
- Complete one box solution to meet Doc M
- Water saving concealed cistern and spatula lever
- All components available as individual products for continuity of specification
- Rust resistant 304 grade stainless steel grab rails with concealed fixings

Ambulant wall hung Doc M pack - aluminium grab rails



Available colours



Code

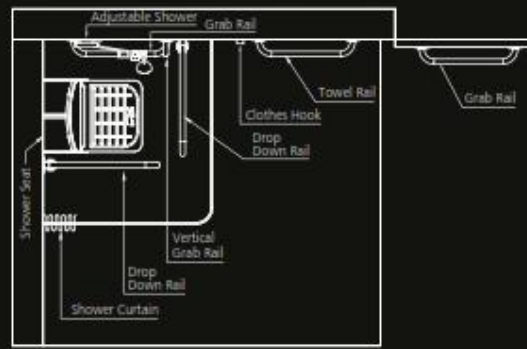
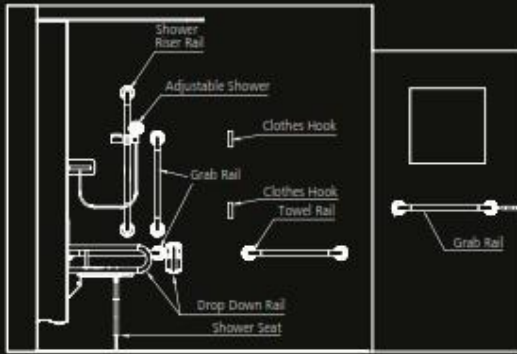
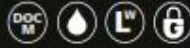
230049

Contents

2 x 210060 600mm Aluminium grab rail
1 x 210045 450mm Aluminium grab rail
1 x Wall hung rimless WC pan - concealed cistern assembly
1 x 210401 Aluminium back rest rail and PU pad

- Hygienic extended projection rimless wall hung WC pan
- Complete one box solution to meet Doc M
- Water saving concealed cistern and spatula lever
- All components available as individual products for continuity of specification
- Rust resistant aluminium grab rails with concealed fixings

Shower packs



Stainless steel rail only Doc M shower pack with seat

Available colours



Code

230102

Contents

2 x 211880 800mm Stainless steel hinged grab rail
3 x GR 24/32C 600mm Stainless steel grab rail
1 x GR 18/32C 450mm Stainless steel grab rail
1 x 211090 900mm Stainless steel grab rail
1 x 250401 Slider bracket
1 x 250502 1200 x 1200mm Shower rail
2 x 250603 1800 x 2000mm Weighted shower curtain
1 x SB-085 Doc M shower seat with legs
1 x 141701 Robe hook

- Simple one box solution to meet Doc M regulations
- High resistance to vandalism
- All components available as individual products for continuity of specification
- Rust resistant 304 grade stainless steel grab rails with concealed fixings

Aluminium rail only Doc M shower pack with seat

Available colours



Code

230102

Contents

2 x 211880 800mm Stainless steel hinged grab rail
3 x 210060 600mm Aluminium grab rail
1 x 210045 450mm Aluminium grab rail
1 x 211090 900mm Stainless steel grab rail
1 x 250401 Slider bracket
1 x 250502 1200 x 1200mm Shower rail
2 x 250603 1800 x 2000mm Weighted shower curtain
1 x SB-085 Doc M shower seat with legs
1 x 141701 Robe hook

- Simple one box solution to meet Doc M regulations
- High resistance to vandalism
- All components available as individual products for continuity of specification
- Rust resistant aluminium grab rails with concealed fixings

Doc M - Shower packs

Concealed Doc M shower pack - stainless steel grab rails



Available colours

SP SS

Code

230103

Contents

1 x Concealed TMV3 thermostatic sequential shower valve
1 x Minimalistic two way diverter valve
1 x Vandal resistant fixed shower head
1 x Elbow for shower kits with concealed valves
1 x Shower hose complete (2000mm)
1 x Three function modern shower head
2 x 211880 800mm Stainless steel hinged grab rail
3 x GR 24/32C 600mm Stainless steel grab rail
1 x GR 18/32C 450mm Stainless steel grab rail
1 x 211090 900mm Stainless steel grab rail
1 x 250401 Slider bracket
1 x 250502 1200 x 1200mm Shower rail
2 x 250603 1800 x 2000mm Weighted shower curtain
1 x SB-085 Doc M shower seat with legs
1 x 141701 Robe hook

- Simple one box solution to meet Doc M regulations
- Concealed TMV3 thermostatic mixing shower with extended lever
- High resistance to vandalism
- Rust resistant 304 grade stainless steel grab rails with concealed fixings

Concealed Doc M shower pack - aluminium grab rails



Available colours

WH DB GV DG

Code

230103

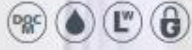
Contents

1 x Concealed TMV3 thermostatic sequential shower valve
1 x Minimalistic two way diverter valve
1 x Vandal resistant fixed shower head
1 x Elbow for shower kits with concealed valves
1 x Shower hose complete (2000mm)
1 x Three function modern shower head
2 x 211880 800mm Stainless steel hinged grab rail
3 x 210060 600mm Aluminium grab rail
1 x 210045 450mm Aluminium grab rail
1 x 211090 900mm Stainless steel grab rail
1 x 250401 Slider bracket
1 x 250502 1200 x 1200mm Shower rail
2 x 250603 1800 x 2000mm Weighted shower curtain
1 x SB-085 Doc M shower seat with legs
1 x 141701 Robe hook

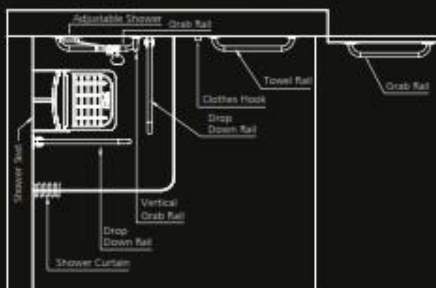
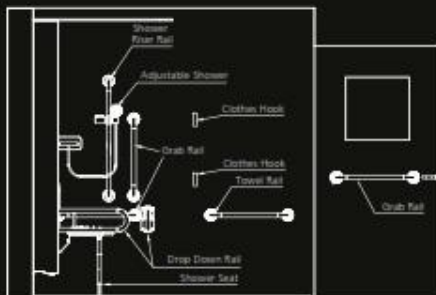
- Simple one box solution to meet Doc M regulations
- Concealed TMV3 thermostatic mixing shower with extended lever
- High resistance to vandalism
- Rust resistant aluminium grab rails with concealed fixings

Doc M - Shower packs

Exposed Doc M shower pack - stainless steel grab rails



One of the key objectives within Part M of the Building Regulations is to provide adequate washing facilities for wheelchair users and ambulant disabled persons. Within the Nyma®CARE range, each Doc M shower pack has been specifically designed to meet this objective in a single boxed solution.



Available colours

SP SS

Code
230104

Contents

- 1 x Exposed TMV3 thermostatic sequential shower valve
- 1 x Exposed two way diverter valve
- 1 x Vandal resistant fixed shower head
- 1 x Shower hose complete (2000mm)
- 1 x Three function modern shower head
- 2 x 211880 800mm Stainless steel hinged grab rail
- 3 x GR 24/32C 600mm Stainless steel grab rail
- 1 x GR 18/32C 450mm Stainless steel grab rail
- 1 x 211090 900mm Stainless steel grab rail
- 1 x 250401 Slider bracket
- 1 x 250502 1200 x 1200mm Shower rail
- 2 x 250603 1800 x 2000mm Weighted shower curtain
- 1 x SB-085 Doc M shower seat with legs
- 1 x 141701 Robe hook

- Simple one box solution to meet Doc M spec
- Cool to touch TMV3 thermostatic shower mixer
- High resistance to vandalism
- Rust resistant 304 grade stainless steel grab rails with concealed fixings
- Ideal for refurbishment projects

Doc M - Shower packs

Exposed Doc M shower pack - aluminium grab rails



Available colours

WH DB GY DG

Code

230104

Contents

1 x Exposed TMV3 thermostatic sequential shower valve
1 x Exposed two way diverter valve
1 x Vandal resistant fixed shower head
1 x Shower hose complete (2000mm)
1 x Three function modern shower head
2 x 211880 800mm Stainless steel hinged grab rail
3 x 210060 600mm Aluminium grab rail
1 x 210045 450mm Aluminium grab rail
1 x 211090 900mm Stainless steel grab rail
1 x 250401 Slider bracket
1 x 250502 1200 x 1200mm Shower rail
2 x 250603 1800 x 2000mm Weighted shower curtain
1 x SB-085 Doc M shower seat with legs
1 x 141701 Robe hook

- Simple one box solution to meet Doc M regulations
- Cool to touch TMV3 thermostatic shower mixer
- High resistance to vandalism
- All components available as individual products for continuity of specification
- Rust resistant aluminium grab rails with concealed fixings

Doc M shower seat with legs



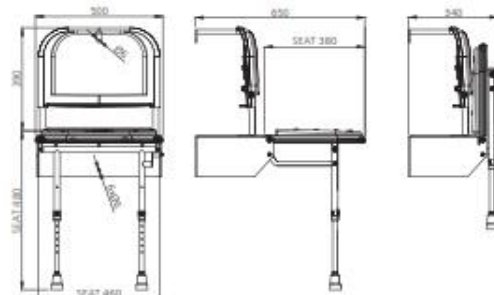
Available colours

DB GY

Code

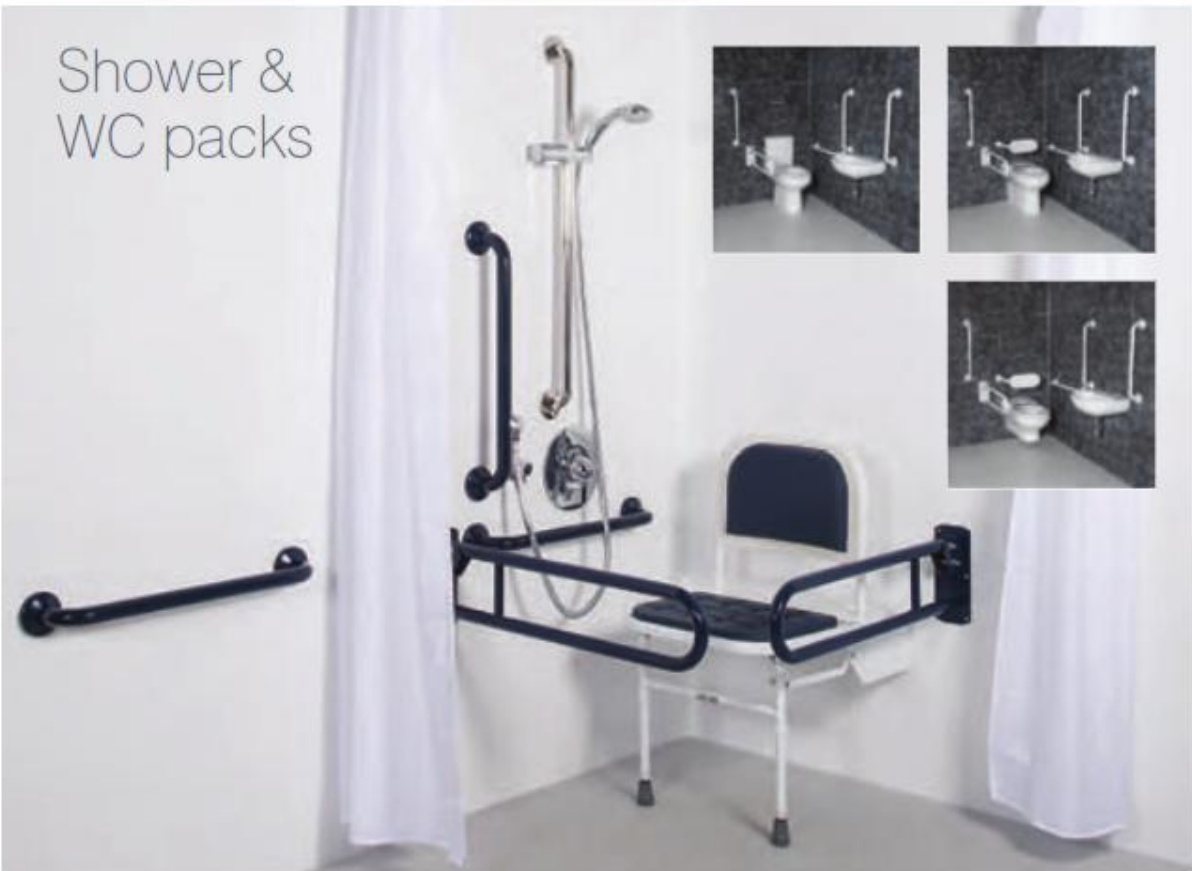
SB-085

- Extra projection shower seat for easy transfer from wheelchair
- Non-corrosive aluminium frame construction
- Closed cell structure PU pad for user comfort
- Height adjustable with both E-clip in 25mm increments and thread for fine adjustment

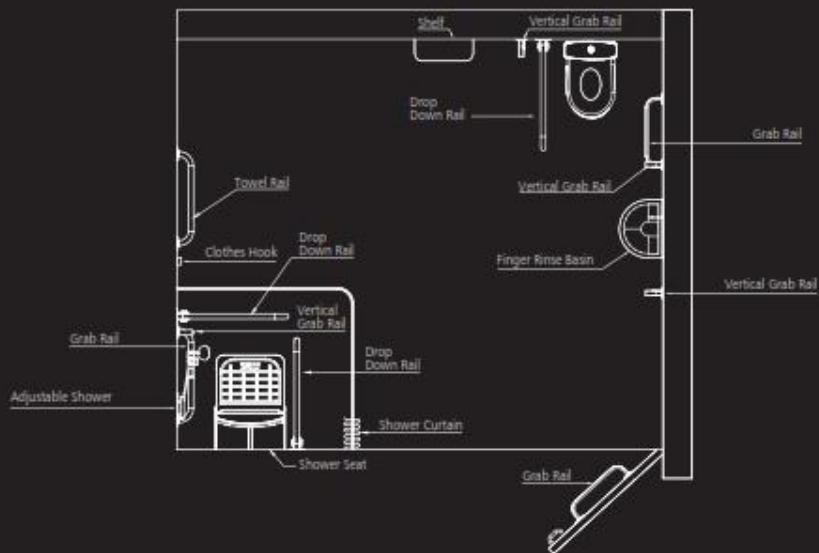


Doc M - Shower & WC packs

Shower & WC packs



Shower pack and left hand WC



Doc M - Shower & WC packs

Shower & WC Doc M pack - close coupled sanitary ware



Stainless steel grab rails

Available colours



Code	
230201	Left hand
230205	Right hand

Aluminium grab rails

Available colours



Code	
230201	Left hand
230205	Right hand

- Hygienic extended projection rimless close coupled WC pan
- TMV3 approved thermostatic basin mixer
- Water saving cistern with spatula lever
- Concealed TMV3 thermostatic mixing shower with extended lever
- Complete one box solution to meet Part M of building regulations
- All components available as individual products for continuity of specification

Contents

7 x 600mm Grab rail - concealed fixing
1 x 450mm Grab rail - concealed fixing
3 x 800mm Stainless steel hinged grab rail
1 x Close coupled rimless WC pan - cistern assembly
1 x Single tap hole basin
1 x TMV3 thermostatic basin mixer
1 x Spatula cistern lever
1 x Concealed TMV3 thermostatic sequential shower valve
1 x Minimalistic two way diverter valve
1 x Vandal resistant fixed shower head
1 x Elbow for shower kits with concealed valves
1 x Shower hose complete (2000mm)
1 x Three function modern shower head
1 x 900mm Grab rail - concealed fixing
1 x 250401 Slider bracket
1 x 250502 1200 x 1200mm Shower rail
2 x 250603 1800 x 2000mm Weighted shower curtain
1 x SB-085 Doc M shower seat with legs
1 x 141701 Robe hook

Shower & WC Doc M pack - back to wall sanitary ware



Stainless steel grab rails

Available colours



Code	
230221	Left hand
230225	Right hand

Aluminium grab rails

Available colours



Code	
230221	Left hand
230225	Right hand

- Hygienic extended projection rimless back to wall WC pan
- Concealed TMV3 thermostatic mixing shower with extended lever
- TMV3 approved thermostatic basin mixer
- Complete one box solution to meet Part M of building regulations
- Concealed cistern assembly with spatula lever
- All components available as individual products for continuity of specification

Contents

7 x 600mm Grab rail - concealed fixing
1 x 450mm Grab rail - concealed fixing
3 x 800mm Stainless steel hinged grab rail
1 x Back to wall rimless WC pan
1 x Single tap hole basin
1 x Concealed cistern assembly with spatula lever
1 x TMV3 thermostatic basin mixer
1 x Stainless steel back rest rail and PU pad
1 x Concealed TMV3 thermostatic sequential shower valve
1 x Minimalistic two way diverter valve
1 x Vandal resistant fixed shower head
1 x Elbow for shower kits with concealed valves
1 x Shower hose complete (2000mm)
1 x Three function modern shower head
1 x 900mm Grab rail - concealed fixing
1 x 250401 Slider bracket
1 x 250502 1200 x 1200mm Shower rail
2 x 250603 1800 x 2000mm Weighted shower curtain
1 x SB-085 Doc M shower seat with legs
1 x 141701 Robe hook

Doc M - Shower & WC packs



Shower & WC Doc M pack - wall hung sanitary ware



Stainless steel grab rails

Available colours



Code

230211	Left hand
230215	Right hand

Aluminium grab rails

Available colours



Code

230211	Left hand
230215	Right hand

- Hygienic extended projection rimless wall hung WC pan
- Concealed TMV3 thermostatic mixing shower with extended lever
- TMV3 approved thermostatic basin mixer
- Complete one box solution to meet Doc M of building regulations
- Concealed cistern assembly with spatula lever
- All components available as individual products for continuity of specification

Contents

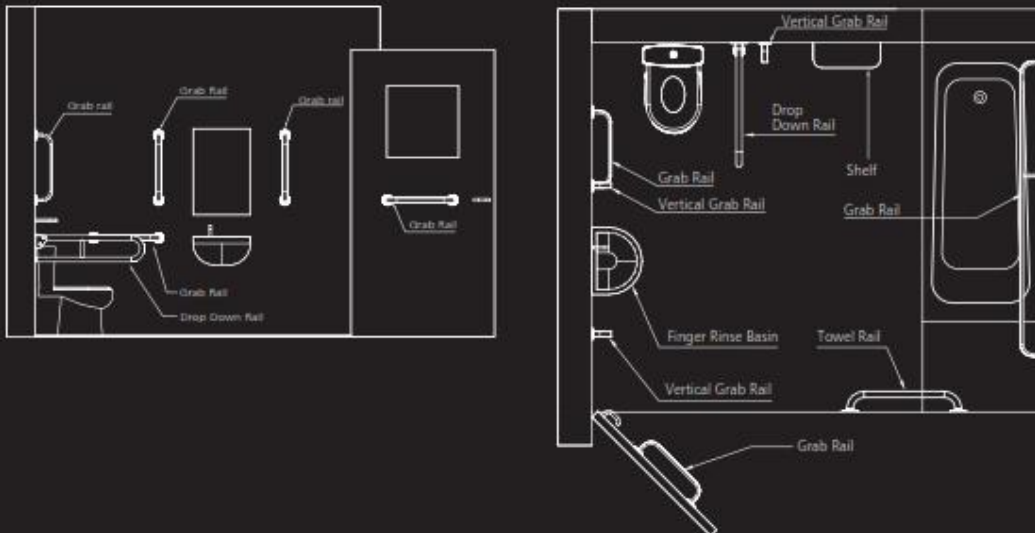
7 x 600mm Grab rail - concealed fixing
1 x 450mm Grab rail - concealed fixing
3 x 800mm Stainless steel hinged grab rail
1 x Wall hung rimless WC pan
1 x Concealed cistern assembly with spatula lever
1 x Single tap hole basin
1 x TMV3 thermostatic basin mixer
1 x Stainless steel back rest rail and PU pad
1 x Concealed TMV3 thermostatic sequential shower valve
1 x Minimalistic two way diverter valve
1 x Vandal resistant fixed shower head
1 x Elbow for shower kits with concealed valves
1 x Shower hose complete (2000mm)
1 x Three function modern shower head
21 x 900mm Premium grab rail - concealed fixing
1 x 250401 Slider bracket
1 x 250502 1200 x 1200mm Shower rail
2 x 250603 1800 x 2000mm Weighted shower curtain
1 x SB-085 Doc M shower seat with legs
1 x 141701 Robe hook

Doc M - Bathroom packs

Bathroom packs



Bathroom pack and right hand WC



Bathroom Doc M pack - close coupled sanitary ware



Stainless steel grab rails

Available colours SP SS

Code	
230301	Left hand
230305	Right hand



Aluminium grab rails

Available colours WH DB GY DG

Code	
230301	Left hand
230305	Right hand

- Hygienic extended projection rimless close coupled WC pan
- Low level bath with TMV3 thermostatic bath filler
- TMV3 approved thermostatic basin mixer
- Complete one box solution to meet Part M of building regulations
- Water saving cistern and spatula lever
- All components available as individual products for continuity of specification

Contents
6 x 600mm Grab rail with concealed fixings
1 x 450mm Grab rail with concealed fixings
1 x 1750mm Grab rail with concealed fixings
1 x 800mm Stainless steel hinged grab rail
1 x Close coupled rimless WC pan with cistern assembly
1 x Single tap hole basin
1 x TMV3 thermostatic basin mixer
1 x Spatula cistern lever
1 x Low profile bath with waste
1 x TMV3 bath filler

Bathroom Doc M pack - back to wall sanitary ware



Stainless steel grab rails

Available colours SP SS

Code	
230321	Left hand
230325	Right hand



Aluminium grab rails

Available colours WH DB GY DG

Code	
230321	Left hand
230325	Right hand

- Hygienic extended projection rimless WC pan
- Low level bath with TMV3 thermostatic bath filler
- TMV3 approved thermostatic basin mixer
- Complete one box solution to meet Part M of building regulations
- Water saving concealed cistern and spatula lever
- All components available as individual products for continuity of specification

Contents
6 x 600mm Grab rail with concealed fixings
1 x 450mm Grab rail with concealed fixings
1 x 1750mm Grab rail with concealed fixings
1 x 800mm Stainless steel hinged grab rail
1 x Back rest rail and PU pad with concealed fixings
1 x Back to wall rimless WC pan
1 x Concealed cistern assembly with spatula lever
1 x Single tap hole basin
1 x TMV3 thermostatic basin mixer
1 x Low profile bath with waste
1 x TMV3 bath filler

Doc M - Bathroom packs

Bathroom Doc M pack - wall hung sanitary ware



Stainless steel grab rails

Available colours

SP SS

Code

230311	Left hand
230315	Right hand



Aluminium grab rails

Available colours

WH DE GY DG

Code

230311	Left hand
230315	Right hand

- Hygienic extended projection rimless WC pan
- Low level bath with TMV3 thermostatic bath filler
- TMV3 approved thermostatic basin mixer
- Complete one box solution to meet Part M of building regulations
- Water saving concealed cistern and spatula lever
- All components available as individual products for continuity of specification

Contents

6 x 600mm Grab rail with concealed fixings
1 x 450mm Grab rail with concealed fixings
1 x 1750mm Grab rail with concealed fixings
1 x 800mm Stainless steel hinged grab rail
1 x Back rest rail and PU pad with concealed fixings
1 x Wall hung rimless WC pan
1 x Concealed cistern assembly with spatula lever
1 x Single tap hole basin
1 x TMV3 thermostatic basin mixer
1 x TMV3 bath filler
1 x Low profile bath with waste

Anti ligature

Anti ligature stainless steel grab rail with plate infill

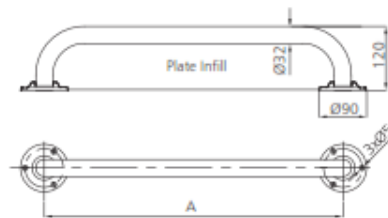


Available colours

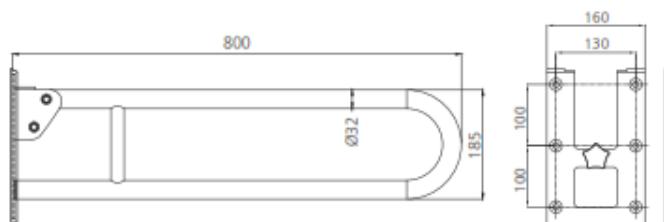


Code	A
240045	450
240060	600

- Vandal resistant stainless steel construction
- Ligature free design



Removable stainless steel hinged rail



Available colours

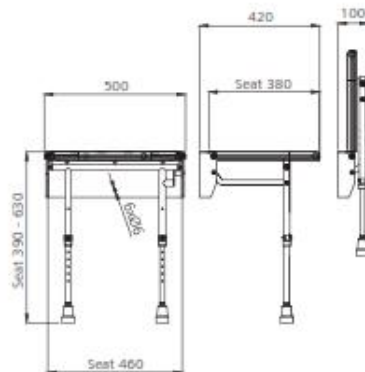


Code
240380

- Vandal resistant design
- Ligature free wall plate when hinged rail is removed
- Lift and lock stainless steel hinged rail

Showering

Wall mounted shower seat with legs



Available colours

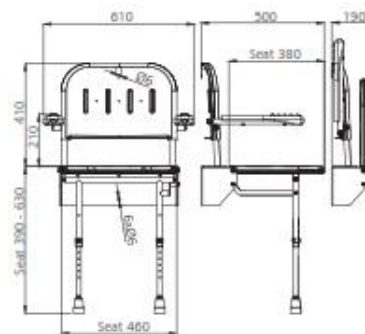
WH

Code

SB-070

- Rust proof white epoxy coated aluminium frame
- Durable clip on moulded plastic seat
- Adjustable legs with both E-clip adjustment in 25mm increments and fine adjustment

Wall mounted shower seat with back, arms and legs



Available colours

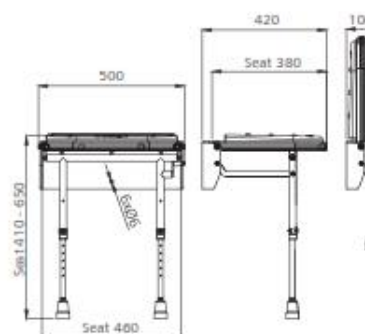
WH

Code

SB-071

- Rust proof white epoxy coated aluminium frame
- Padded fold down arm rests
- Durable clip on moulded plastic seat
- Adjustable legs with both E-clip adjustment in 25mm increments and fine adjustment

Wall mounted padded shower seat with legs



Available colours

EB

DB

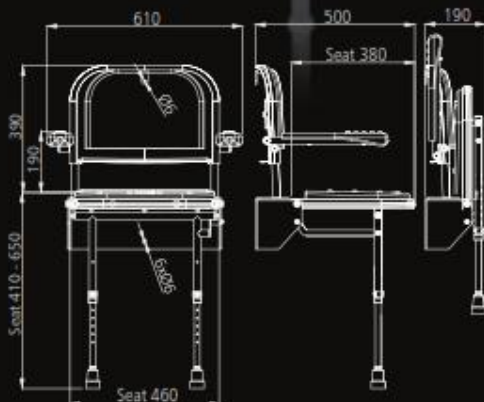
GY

Code

SB-080

- Rust proof white epoxy coated aluminium frame
- Closed cell structure PU pad for user comfort
- Adjustable legs with both E-clip adjustment in 25mm increments and fine adjustment
- Durable clip on plastic moulded seat

Wall mounted padded shower seat with back, arms and legs



Available colours

EB

DB

GY

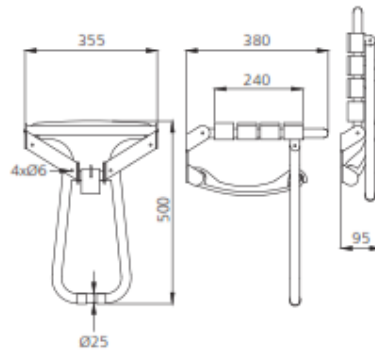
Code

SB-081

- Rust proof white epoxy coated aluminium frame
- Closed cell structure PU pad for user comfort
- Adjustable legs with both E-clip adjustment in 25mm increments and fine adjustment
- Durable clip on plastic moulded seat
- Padded fold down arm rests

Showering

Slatted shower seat with legs



Available colours

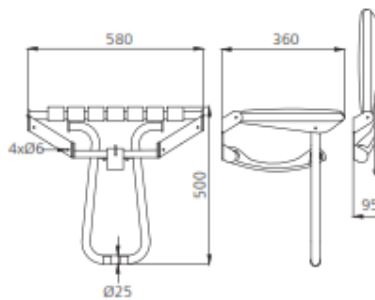
WH

Code

250201

- Durable epoxy coated aluminium frame
- Plastic slats
- Leg support

Extra wide slatted shower seat with legs



Available colours

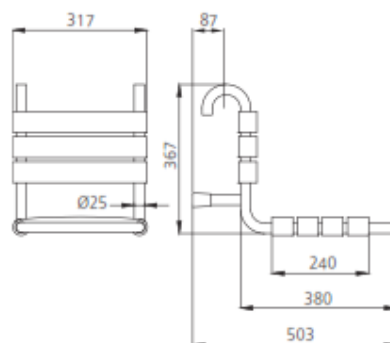
WH

Code

250202

- Durable epoxy coated aluminium frame
- Plastic slats
- Leg support

Removable slatted shower seat



Available colours

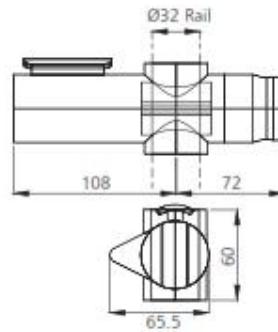
WH

Code

250301

- Durable epoxy coated aluminium frame
- Plastic slats
- Leg support

32mm Slider bracket for shower head holder



Available colours

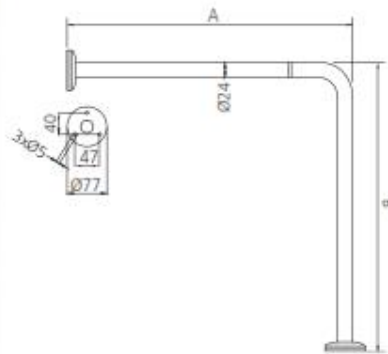


Code

250401

- Large button for easy operation for users with limited dexterity

Shower curtain rail



Available colours



Code

Code	A	B
250501	1000	1000
250502	1200	1200
250505	2430	-

- Tubular stainless steel construction
- Comes with ceiling stay
- Concealed wall fixings
- Full range of colours and finishes

Shower curtain



Available colours



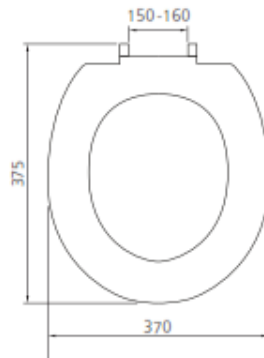
Code

Code	A	B
250602	1800	1800
250603	1800	2000
250605	2000	2000
250606	2200	2000
250607	2500	2000
250608	3000	2000

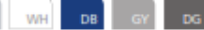
- Durable weighted polyester material
- Easy to clean
- Range of standard sizes to suit most configurations

Washroom

Toilet seat - stainless steel hinges



Available colours

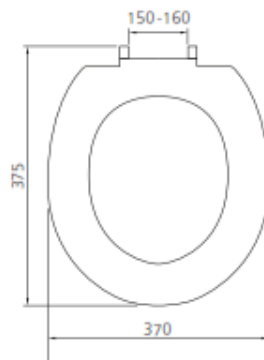


Code

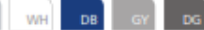
140001	Ring only
260000	With lid

- High quality duraplast construction
- Stainless steel hinge

Toilet seat - stainless steel hinges and stays



Available colours

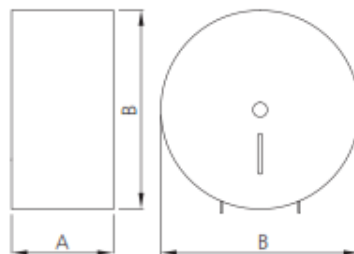


Code

260001	Ring only
260002	With lid

- High quality duraplast construction
- Stainless steel hinges
- Stays provide greater stability for side transfers

White toilet roll dispenser



Available colours

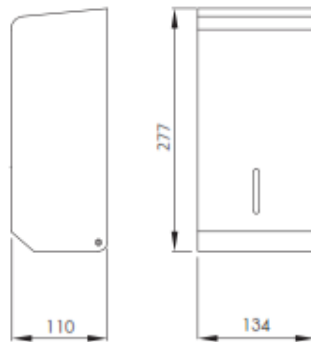


Code

	A	B
260201	120	250
260202	125	320

- Robust steel construction
- Refillable using industry standard paper rolls
- Locking mechanism
- Visual indicator to show paper level

White toilet tissue dispenser



Available colours

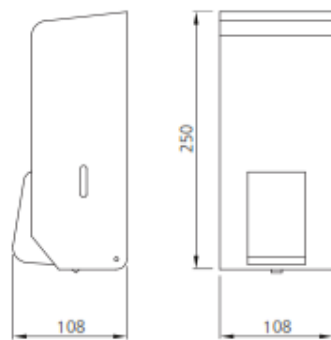
WH

Code

260203

- Robust steel construction
- Locking mechanism
- Visual indicator to show paper level

White soap dispenser



Available colours

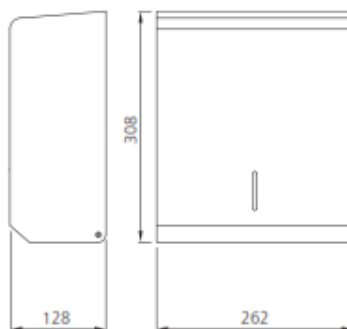
WH

Code

260401

- Robust steel construction
- Locking mechanism
- Visual indicator to show soap level

White paper towel dispenser



Available colours

WH

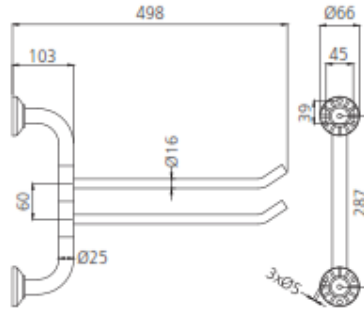
Code

260508

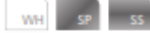
- Robust steel construction
- Locking mechanism
- Visual indicator to show paper level

Washroom

Multi swing arm towel rail - double arm



Available colours

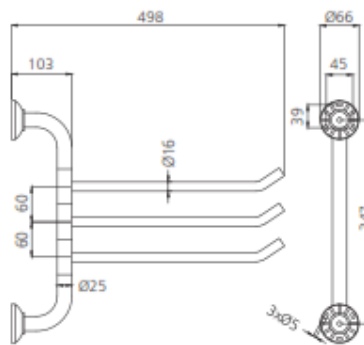


Code

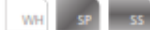
260505

- White epoxy coated steel tubular construction
- Concealed fixings

Multi swing arm towel rail - triple arm



Available colours

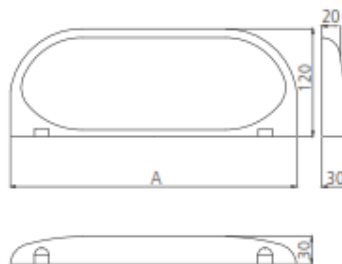


Code

260506

- White epoxy coated steel tubular construction
- Concealed fixings

Anti-bacterial duraplast colostomy bag shelf



Available colours



Code

Code	A
260803	300
260804	600

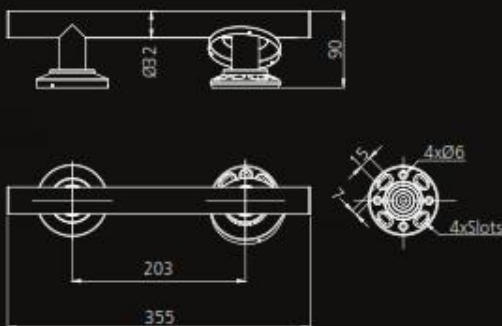
- Robust duraplast construction
- Inherent anti-bacterial properties
- Two size options

Grab Rails

Contemporary straight grab rail



This high quality grab rail combines contemporary design, compliance with regulations and ease of fitting.



Code
310035

Available colours **SP**

- High quality polished stainless steel construction
- Nylon flange to eliminate the need for earthing
- Unique two part flange cover for ease of fixing

Grab Rails

Contemporary straight grab rail

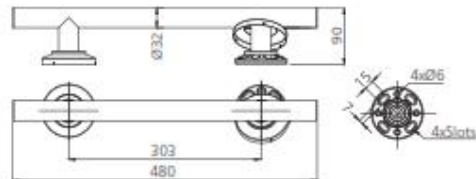


Code
310048

Available colours

SP

- High quality polished stainless steel construction
- Nylon flange to eliminate the need for earthing
- Unique two part flange cover for ease of fixing



Contemporary straight grab rail

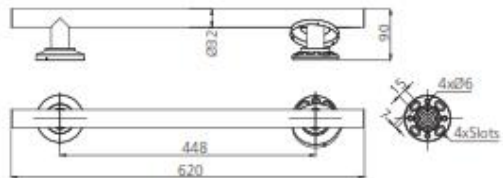


Code
310062

Available colours

SP

- High quality polished stainless steel construction
- Nylon flange to eliminate the need for earthing
- Unique two part flange cover for ease of fixing



Contemporary straight grab rail

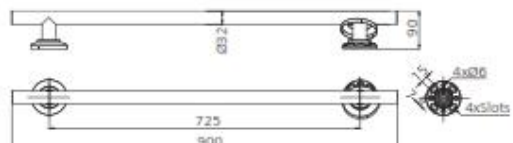


Code
310090

Available colours

SP

- High quality polished stainless steel construction
- Nylon flange to eliminate the need for earthing
- Unique two part flange cover for ease of fixing
- Can be used as either grab rail or shower slider rail



Grab Rails

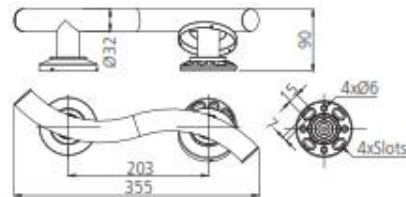
Contemporary curved grab rail



Code
310235

Available colours
SP

- High quality polished stainless steel construction
- Nylon flange to eliminate the need for earthing
- Unique two part flange cover for ease of fixing



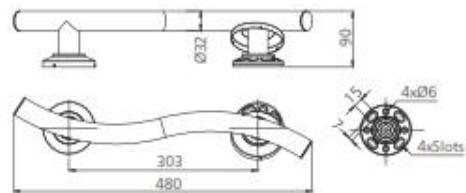
Contemporary curved grab rail



Code
310248

Available colours
SP

- High quality polished stainless steel construction
- Nylon flange to eliminate the need for earthing
- Unique two part flange cover for ease of fixing



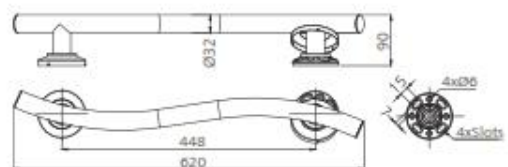
Contemporary curved grab rail



Code
310262

Available colours
SP

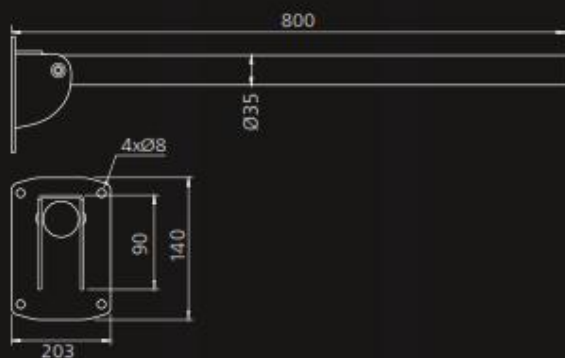
- High quality polished stainless steel construction
- Nylon flange to eliminate the need for earthing
- Unique two part flange cover for ease of fixing



Contemporary straight hinged rail



The combination of high quality engineering and great aesthetics makes this hinged rail range an elegant addition to any accessible bathing area.



Code
310480

Available colours **SP**

- Minimal contemporary design
- Highly polished 304 stainless steel construction
- Friction hinge mechanism to eliminate lateral movement

Grab Rails

Gold effect grab rail with concealed fixings

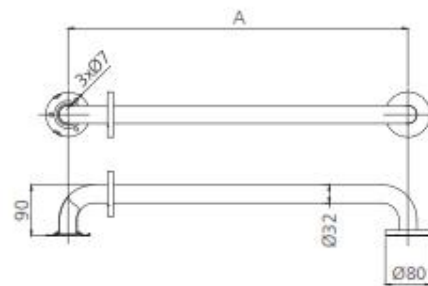


Available colours



Code	A
312030	300
312045	450
312060	600

- Highly polished gold effect stainless steel finish
- Concealed wall fixings
- Non-corrosive 304 grade stainless steel construction



Gold effect hinged support rail

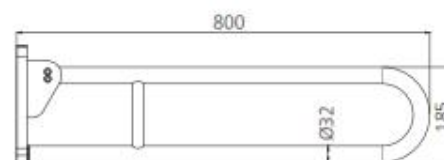


Available colours



Code
312180

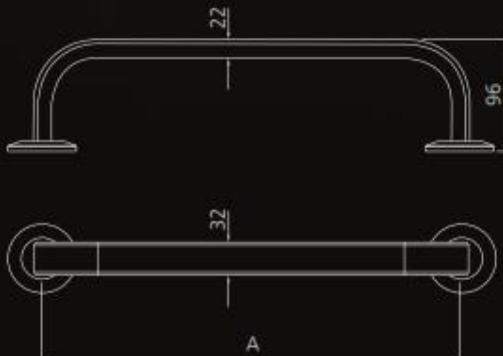
- Lift and lock hinge mechanism with minimal lateral movement
- Plastic caps for wall fixings available
- Highly polished gold effect finish
- Non-corrosive 304 grade stainless steel construction




Contemporary brushed grab rail    



This range is the epitome of minimalistic design, combining stunning simplicity with uncompromised comfort.



Code	A
311030	300
311040	400
311060	600

Available colours 

- Contemporary minimal design
- Unique easy-grip profile
- Brushed aluminium finish
- Rust resistant aluminium construction
- Concealed wall fixings

Doc M - Toilet packs

Contemporary rail only Doc M pack



Available colours



Code

320001

Contents

1 x 310480 Contemporary straight hinged rail
4 x 310062 620mm Contemporary straight grab rail
1 x 310048 480mm Contemporary straight grab rail

- Contemporary solution to meet Doc M regulations
- High resistance to vandalism
- All components available as individual products for continuity of specification throughout Style range
- Nylon flange to eliminate the need for earthing

Contemporary rail only Doc M pack with back rest rail



Available colours



Code

320002

Contents

1 x 310480 Contemporary straight hinged rail
4 x 310062 620mm Contemporary straight grab rail
1 x 310048 480mm Contemporary straight grab rail
1 x 211301 Premium stainless steel back rest rail and pad

- Contemporary solution to meet Doc M regulations
- High resistance to vandalism
- All components available as individual products for continuity of specification throughout Style range
- Suitable for back-to-wall and wall hung sanitary ware
- Nylon flange to eliminate the need for earthing

Doc M - Toilet packs

Contemporary close coupled Doc M pack



Available colours

SP

Code

322011	Left hand
322015	Right hand

Contents

4 x 310062	600mm Contemporary stainless steel grab rail
1 x 310048	480mm Contemporary stainless steel grab rail
1 x 310480	Stainless steel single arm hinged grab rail
1 x Contemporary close coupled WC pan with push button cistern assembly	
1 x Single tap hole basin	
1 x TMV3 thermostatic basin mixer	

- Contemporary design extended projection WC pan with raised push button cistern
- TMV3 approved thermostatic basin mixer
- Complete one box solution to meet Part M of building regulations
- Contemporary design finger rinse basin
- All components available as individual products for continuity of specification throughout Style range
- Contemporary polished stainless steel grab rails with concealed fixings
- Optional upgrade to an infra-red basin tap

Contemporary back to wall Doc M pack



Available colours

SP

Code

322031	Left hand
322035	Right hand

Contents

4 x 310062	600mm Contemporary stainless steel grab rail
1 x 310048	480mm Contemporary stainless steel grab rail
1 x 310480	Stainless steel single arm hinged grab rail
1 x Contemporary back to wall WC pan	
1 x Concealed water saving cistern with push plate flush	
1 x Single tap hole basin	
1 x TMV3 thermostatic basin mixer	
1 x 211301	Stainless steel back rest rail and PU back rest pad

- Contemporary design back to wall WC pan
- TMV3 approved thermostatic basin mixer
- Complete one box solution to meet Part M of building regulations
- Concealed cistern and push plate
- Contemporary design finger rinse basin
- All components available as individual products for continuity of specification throughout Style range
- Contemporary polished stainless steel grab rails with concealed fixing
- Optional upgrade to an infra-red basin tap and flush system

Doc M - Toilet packs

Contemporary wall hung Doc M pack



Available colours

SP

Code	
322041	Left hand
322045	Right hand

Contents	
4 x 310062	600mm Contemporary stainless steel grab rail
1 x 310048	480mm Contemporary stainless steel grab rail
1 x 310480	Stainless steel single arm hinged grab rail
1 x	Contemporary wall hung WC pan
1 x	Concealed water saving cistern with push plate flush
1 x	Single tap hole basin
1 x	TMV3 thermostatic basin mixer
1 x 211301	Stainless steel back rest rail and PU back rest pad

- Contemporary design wall hung WC pan
- TMV3 approved thermostatic basin mixer
- Complete one box solution to meet Part M of building regulations
- Concealed cistern and push plate
- Contemporary design finger rinse basin
- All components available as individual products for continuity of specification throughout Style range
- Contemporary polished stainless steel grab rails with concealed fixings
- Optional upgrade to an infra-red basin tap and flush system

Contemporary peninsular close coupled Doc M pack



Available colours

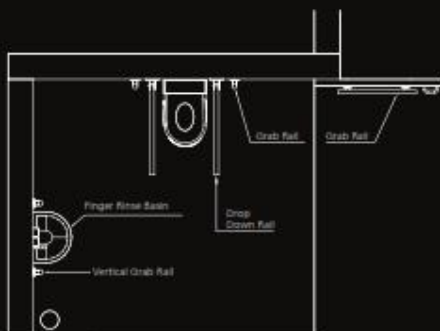
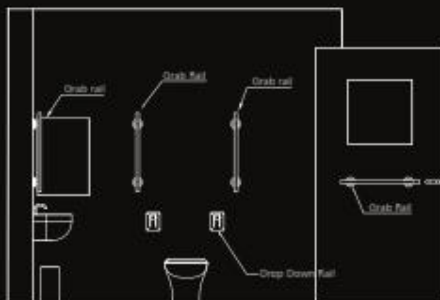
SP

Code	
322010	

Contents	
4 x 310062	600mm Contemporary stainless steel grab rail
1 x 310048	450mm Contemporary stainless steel grab rail
2 x 310480	Stainless steel single arm hinged grab rail
1 x	Contemporary close coupled WC pan with push button cistern assembly
1 x	Cloakroom basin
1 x	TMV3 thermostatic basin mixer

- Contemporary design extended projection close coupled WC pan with raised push button cistern
- TMV3 approved thermostatic basin mixer
- Complete one box solution to meet Part M of building regulations
- Contemporary design finger rinse basin
- All components available as individual products for continuity of specification throughout Style range
- Contemporary polished stainless steel grab rails with concealed fixings
- Optional upgrade to an infra-red basin tap

Contemporary peninsular back to wall Doc M Pack



Available colours

SP

Code

322030

Contents

4 x 310062 600mm Contemporary stainless steel grab rail
1 x 310048 480mm contemporary stainless steel grab rail
2 x 310480 Stainless steel single arm hinged grab rail
1 x Contemporary back to wall WC pan
1 x Concealed cistern with push plate
1 x Cloakroom basin
1 x TMV3 thermostatic basin mixer
1 x 211301 Stainless steel back rest rail and PU back rest pad

- Contemporary design extended projection back to wall WC pan
- Peninsular layout to allow side transfer from either side of WC
- TMV3 approved thermostatic basin mixer
- Complete one box solution to meet Part M of building regulations
- Concealed cistern and push plate
- Contemporary design finger rinse basin
- All components available as individual products for continuity of specification throughout Style range
- Contemporary polished stainless steel grab rails with concealed fixings
- Optional upgrade to an infra-red basin tap and flush system

Doc M - Toilet packs

Contemporary peninsular wall hung Doc M pack



Available colours

SP

Code

322040

Contents

4 x 310062 600mm Contemporary stainless steel grab rail

1 x 310048 480mm Contemporary stainless steel grab rail

2 x 310480 Stainless steel single arm hinged grab rail

1 x Contemporary wall hung WC pan

1 x Concealed cistern with push plate

1 x Cloakroom basin

1 x TMV3 thermostatic basin mixer

1 x 211301 Stainless steel back rest rail and PU back rest pad

- Contemporary design extended projection wall hung WC pan
- Peninsular layout to allow side transfer from either side of WC.
- TMV3 approved thermostatic basin mixer
- Complete one box solution to meet Part M of building regulations
- Concealed cistern and push plate
- Contemporary design finger rinse basin
- All components available as individual products for continuity of specification throughout Style range
- Contemporary polished stainless steel grab rails with concealed fixings
- Optional upgrade to an infra-red basin tap and flush system

Contemporary ambulant close coupled Doc M pack



Available colours

SP

Code

322019

Contents

2 x 310062 600mm Contemporary stainless steel grab rail

1 x 311048 480mm Contemporary stainless steel grab rail

1 x Contemporary close coupled WC pan with push button cistern assembly

- Contemporary design extended projection WC pan with raised push button cistern
- TMV3 approved thermostatic basin mixer
- Complete one box solution to meet Part M of building regulations
- All components available as individual products for continuity of specification throughout Style range
- Contemporary polished stainless steel grab rails with concealed fixings

Doc M - Toilet packs

Contemporary ambulant back to wall Doc M pack



Available colours

SP

Code

322039

Contents

2 x 310062 600mm Contemporary stainless steel grab rail
1 x 310048 480mm Contemporary stainless steel grab rail
1 x Contemporary back to wall WC pan
1 x Concealed cistern with push plate
1 x 211301 Stainless steel back rest rail and PU back rest pad

- Contemporary design extended projection back to wall WC pan
- TMV3 approved thermostatic basin mixer
- Complete one box solution to meet Part M of building regulations
- Concealed cistern and push plate
- All components available as individual products for continuity of specification throughout Style range
- Contemporary polished stainless steel grab rails with concealed fixings
- Optional upgrade to an infra-red flush system

Contemporary ambulant wall hung Doc M pack



Available colours

SP

Code

322049

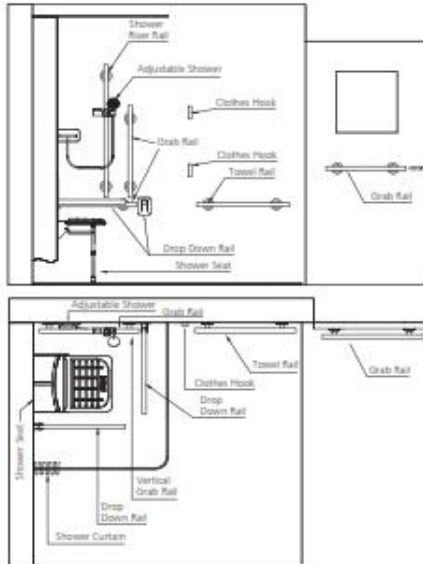
Contents

2 x 310062 600mm Contemporary stainless steel grab rail
1 x 310048 480mm Contemporary stainless steel grab rail
1 x Contemporary wall hung WC pan
1 x Concealed cistern with push plate
1 x 211301 Stainless steel back rest rail and PU back rest pad

- Contemporary design extended projection wall hung WC pan
- TMV3 approved thermostatic basin mixer
- Complete one box solution to meet Part M of building regulations
- Concealed cistern and push plate
- All components available as individual products for continuity of specification throughout Style range
- Contemporary polished stainless steel grab rails with concealed fixings
- Optional upgrade to an infra-red flush system

Doc M - Shower packs

Contemporary rail only Doc M shower pack



Available colours

SP

Code

321001

Contents

2 x 310480 Contemporary straight hinged support rail
3 x 310062 620mm Contemporary straight grab rail
1 x 310048 480mm Contemporary straight grab rail
1 x 310090 900mm Contemporary straight grab rail
1 x 250401 Slider bracket
1 x 250502 1200 x 1200mm Shower rail
2 x 250603 1800 x 2000mm Weighted shower curtain
1 x SB-085 Doc M shower seat with legs
1 x 141701 Robe Hook

- Contemporary solution to meet Doc M regulations
- High resistance to vandalism
- All components available as individual products for continuity of specification throughout Style range

Contemporary exposed Doc M shower pack



Available colours

SP

Code

321003

Contents

1 x Exposed TMV3 thermostatic sequential shower valve
1 x Exposed two way diverter valve
1 x Vandal resistant fixed shower head
1 x Shower hose complete (2000mm)
1 x Three function modern shower head
2 x 310480 Contemporary straight hinged support rail
3 x 310062 620mm Contemporary straight grab rail
1 x 310048 480mm Contemporary straight grab rail
1 x 310090 900mm Contemporary straight grab rail
1 x 250401 Slider bracket
1 x 250502 1200 x 1200mm Shower rail
2 x 250603 1800 x 2000mm Weighted shower curtain
1 x SB-085 Doc M shower seat with legs
1 x 141701 Robe Hook

- Contemporary solution to meet Doc M regulations
- Cool to touch TMV3 thermostatic shower mixer
- High resistance to vandalism
- All components available as individual products for continuity of specification throughout Style range
- All grab rails in highly polished stainless steel with nylon flange and two part cover plates for easy fixing

Contemporary
concealed
Doc M shower
pack



Available colours

SR

Code

321002

- Simple one box solution to meet Doc M regulations
- Concealed TMV3 thermostatic mixing shower with extended lever
- High resistance to vandalism
- All components available as individual products for continuity of specification throughout Style range
- All grab rails in highly polished stainless steel with nylon flange and two part cover plates for easy fixing

Contents

1 x Concealed TMV3 thermostatic sequential shower valve
1 x Minimalistic two way diverter valve
1 x Vandal resistant fixed shower head
1 x Shower hose complete (2000mm)
1 x Three function modern shower head
2 x 310480 Contemporary grab rail
3 x 310062 620mm Contemporary grab rail concealed fixing
1 x 310048 480mm Contemporary grab rail concealed fixing
1 x 310090 900mm Contemporary grab rail concealed fixing
1 x 250401 Slider bracket
1 x 250502 1200 x 1200mm Shower track
2 x 250603 1800 x 2000mm Weighted shower curtain
1 x SB-085 Doc M shower seat with legs
1 x 141701 Robe Hook

Doc M - Shower & WC packs

Contemporary shower & WC Doc M - back to wall sanitary ware



Available colours



Code	
325011	Left hand
325015	Right hand

- Complete one box solution to meet Doc M regulations
- Concealed TMV3 thermostatic mixing shower with extended lever
- High resistance to vandalism
- All grab rails in high polished st/steel with nylon flange and two part cover plates for easy fixing
- Contemporary design back to wall WC pan
- Concealed cistern and push plate
- TMV3 approved thermostatic basin mixer
- Contemporary design finger rinse basin
- All components available as individual products for continuity of specification throughout Style range
- Optional upgrade to an infra-red basin tap and flush system

Contents

1 x Concealed TMV3 thermostatic sequential shower valve
1 x Minimalistic two way diverter valve
1 x Vandal resistant fixed shower head
1 x Shower hose complete (2000mm)
1 x Three function modern shower head
3 x 310480 Contemporary grab rail
7 x 310062 620mm Contemporary grab rail
1 x 310048 480mm Contemporary grab rail
1 x 310090 900mm Contemporary grab rail
1 x 250401 Slider bracket
1 x 250502 1200 x 1200mm Shower rail
2 x 250603 1800 x 2000mm Weighted shower curtain
1 x SB-085 Doc M shower seat with legs
1 x 141701 Robe Hook
1 x 211301 Premium stainless steel back rest rail and pad
1 x TMV3 thermostatic basin mixer
1 x Contemporary back to wall WC pan
1 x Concealed cistern with push plate
1 x Contemporary finger rinse basin
1 x TMV3 thermostatic basin mixer

Contemporary shower & WC Doc M - wall hung sanitary ware



Available colours



Code	
325021	Left hand
325025	Right hand

- Complete one box solution to meet Doc M regulations
- Concealed TMV3 thermostatic mixing shower with extended lever
- High resistance to vandalism
- All grab rails in high polished st/steel with nylon flange and two part cover plates for easy fixing
- Contemporary design wall hung WC pan
- Concealed cistern and push plate
- TMV3 approved thermostatic basin mixer
- Contemporary design finger rinse basin
- All components available as individual products for continuity of specification throughout Style range
- Optional upgrade to an infra-red basin tap and flush system

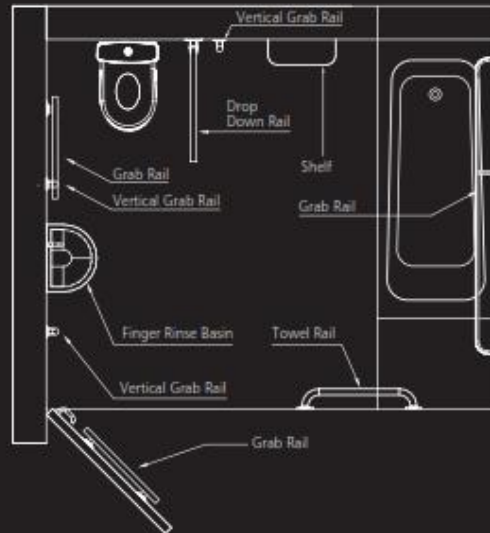
Contents

1 x Concealed TMV3 thermostatic sequential shower valve
1 x Minimalistic two way diverter valve
1 x Vandal resistant fixed shower head
1 x Shower hose complete (2000mm)
1 x Three function modern shower head
3 x 310480 Contemporary grab rail
7 x 310062 620mm Contemporary grab rail
1 x 310048 480mm Contemporary grab rail
1 x 310090 900mm Contemporary grab rail
1 x 250401 Slider bracket
1 x 250502 1200 x 1200mm Shower rail
2 x 250603 1800 x 2000mm Weighted shower curtain
1 x SB-085 Doc M shower seat with legs
1 x 141701 Robe Hook
1 x 211301 Premium stainless steel back rest rail and pad
1 x Contemporary wall hung WC pan
1 x Concealed cistern with push plate
1 x Contemporary finger rinse basin
1 x TMV3 thermostatic basin mixer

Doc M - Bathroom pack



Bathroom pack and right hand WC



Contemporary bathroom pack - close coupled sanitary ware



Available colours

SF

Code	
326001	Left hand
326005	Right hand

- Contemporary design extended projection close coupled WC pan with raised push button cistern
- TMV3 approved thermostatic basin mixer
- Complete one box solution to meet Doc M regulations
- Contemporary design finger rinse basin
- All components available as individual products for continuity of specification throughout Style range
- Contemporary polished stainless steel grab rails with concealed fixings

Contents

6 x 310062 600mm Contemporary stainless steel grab rail
1 x 310048 480mm Contemporary stainless steel grab rail
1 x 310480 Stainless steel single arm hinged grab rail
1 x Contemporary close coupled WC pan with push button cistern assembly
1 x Single tap hole basin
1 x TMV3 thermostatic basin mixer
1 x Low level bath with TMV3 thermostatic bath filler

Doc M - Shower & WC packs

Contemporary shower & WC Doc M - back to wall sanitary ware



Available colours



Code	
325011	Left hand
325015	Right hand

- Complete one box solution to meet Doc M regulations
- Concealed TMV3 thermostatic mixing shower with extended lever
- High resistance to vandalism
- All grab rails in high polished st/steel with nylon flange and two part cover plates for easy fixing
- Contemporary design back to wall WC pan
- Concealed cistern and push plate
- TMV3 approved thermostatic basin mixer
- Contemporary design finger rinse basin
- All components available as individual products for continuity of specification throughout Style range
- Optional upgrade to an infra-red basin tap and flush system

Contents

1 x Concealed TMV3 thermostatic sequential shower valve
1 x Minimalistic two way diverter valve
1 x Vandal resistant fixed shower head
1 x Shower hose complete (2000mm)
1 x Three function modern shower head
3 x 310480 Contemporary grab rail
7 x 310062 620mm Contemporary grab rail
1 x 310048 480mm Contemporary grab rail
1 x 310090 900mm Contemporary grab rail
1 x 250401 Slider bracket
1 x 250502 1200 x 1200mm Shower rail
2 x 250603 1800 x 2000mm Weighted shower curtain
1 x SB-085 Doc M shower seat with legs
1 x 141701 Robe Hook
1 x 211301 Premium stainless steel back rest rail and pad
1 x TMV3 thermostatic basin mixer
1 x Contemporary back to wall WC pan
1 x Concealed cistern with push plate
1 x Contemporary finger rinse basin
1 x TMV3 thermostatic basin mixer

Contemporary shower & WC Doc M - wall hung sanitary ware



Available colours



Code	
325021	Left hand
325025	Right hand

- Complete one box solution to meet Doc M regulations
- Concealed TMV3 thermostatic mixing shower with extended lever
- High resistance to vandalism
- All grab rails in high polished st/steel with nylon flange and two part cover plates for easy fixing
- Contemporary design wall hung WC pan
- Concealed cistern and push plate
- TMV3 approved thermostatic basin mixer
- Contemporary design finger rinse basin
- All components available as individual products for continuity of specification throughout Style range
- Optional upgrade to an infra-red basin tap and flush system

Contents

1 x Concealed TMV3 thermostatic sequential shower valve
1 x Minimalistic two way diverter valve
1 x Vandal resistant fixed shower head
1 x Shower hose complete (2000mm)
1 x Three function modern shower head
3 x 310480 Contemporary grab rail
7 x 310062 620mm Contemporary grab rail
1 x 310048 480mm Contemporary grab rail
1 x 310090 900mm Contemporary grab rail
1 x 250401 Slider bracket
1 x 250502 1200 x 1200mm Shower rail
2 x 250603 1800 x 2000mm Weighted shower curtain
1 x SB-085 Doc M shower seat with legs
1 x 141701 Robe Hook
1 x 211301 Premium stainless steel back rest rail and pad
1 x Contemporary wall hung WC pan
1 x Concealed cistern with push plate
1 x Contemporary finger rinse basin
1 x TMV3 thermostatic basin mixer

Doc M - Shower & WC packs

Contemporary shower & WC Doc M - back to wall sanitary ware



Available colours



Code	
325011	Left hand
325015	Right hand

- Complete one box solution to meet Doc M regulations
- Concealed TMV3 thermostatic mixing shower with extended lever
- High resistance to vandalism
- All grab rails in high polished st/steel with nylon flange and two part cover plates for easy fixing
- Contemporary design back to wall WC pan
- Concealed cistern and push plate
- TMV3 approved thermostatic basin mixer
- Contemporary design finger rinse basin
- All components available as individual products for continuity of specification throughout Style range
- Optional upgrade to an infra-red basin tap and flush system

Contents

1 x Concealed TMV3 thermostatic sequential shower valve
1 x Minimalistic two way diverter valve
1 x Vandal resistant fixed shower head
1 x Shower hose complete (2000mm)
1 x Three function modern shower head
3 x 310480 Contemporary grab rail
7 x 310062 620mm Contemporary grab rail
1 x 310048 480mm Contemporary grab rail
1 x 310090 900mm Contemporary grab rail
1 x 250401 Slider bracket
1 x 250502 1200 x 1200mm Shower rail
2 x 250603 1800 x 2000mm Weighted shower curtain
1 x SB-085 Doc M shower seat with legs
1 x 141701 Robe Hook
1 x 211301 Premium stainless steel back rest rail and pad
1 x TMV3 thermostatic basin mixer
1 x Contemporary back to wall WC pan
1 x Concealed cistern with push plate
1 x Contemporary finger rinse basin
1 x TMV3 thermostatic basin mixer

Contemporary shower & WC Doc M - wall hung sanitary ware



Available colours



Code	
325021	Left hand
325025	Right hand

- Complete one box solution to meet Doc M regulations
- Concealed TMV3 thermostatic mixing shower with extended lever
- High resistance to vandalism
- All grab rails in high polished st/steel with nylon flange and two part cover plates for easy fixing
- Contemporary design wall hung WC pan
- Concealed cistern and push plate
- TMV3 approved thermostatic basin mixer
- Contemporary design finger rinse basin
- All components available as individual products for continuity of specification throughout Style range
- Optional upgrade to an infra-red basin tap and flush system

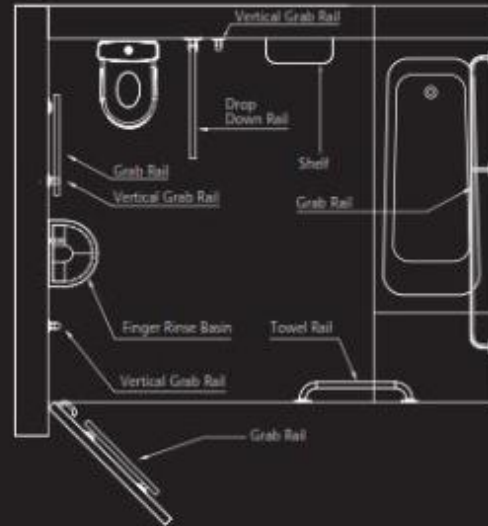
Contents

1 x Concealed TMV3 thermostatic sequential shower valve
1 x Minimalistic two way diverter valve
1 x Vandal resistant fixed shower head
1 x Shower hose complete (2000mm)
1 x Three function modern shower head
3 x 310480 Contemporary grab rail
7 x 310062 620mm Contemporary grab rail
1 x 310048 480mm Contemporary grab rail
1 x 310090 900mm Contemporary grab rail
1 x 250401 Slider bracket
1 x 250502 1200 x 1200mm Shower rail
2 x 250603 1800 x 2000mm Weighted shower curtain
1 x SB-085 Doc M shower seat with legs
1 x 141701 Robe Hook
1 x 211301 Premium stainless steel back rest rail and pad
1 x Contemporary wall hung WC pan
1 x Concealed cistern with push plate
1 x Contemporary finger rinse basin
1 x TMV3 thermostatic basin mixer

Doc M - Bathroom pack



Bathroom pack and right hand WC



Contemporary bathroom pack - close coupled sanitary ware



Available colour



Code	
326001	Left hand
326005	Right hand

- Contemporary design extended projection close coupled WC pan with raised push button cistern
- TMV3 approved thermostatic basin mixer
- Complete one box solution to meet Doc M regulations
- Contemporary design finger rinse basin
- All components available as individual products for continuity of specification throughout Style range
- Contemporary polished stainless steel grab rails with concealed fixings

Contents

6 x 310062 600mm Contemporary stainless steel grab rail
1 x 310048 480mm Contemporary stainless steel grab rail
1 x 310480 Stainless steel single arm hinged grab rail
1 x Contemporary close coupled WC pan with push button cistern assembly
1 x Single tap hole basin
1 x TMV3 thermostatic basin mixer
1 x Low level bath with TMV3 thermostatic bath filler

Doc M - Bathroom pack

Contemporary bathroom pack - back to wall sanitary ware



Available colours



Code	
326011	Left hand
326015	Right hand

- Contemporary design back to wall WC pan
- Complete one box solution to meet Doc M regulations
- Concealed cistern and push plate
- TMV3 approved thermostatic basin mixer
- Contemporary design finger rinse basin
- All components available as individual products for continuity of specification throughout Style range
- Contemporary polished stainless steel grab rails with concealed fixing

Contents

6 x 310062 600mm Contemporary stainless steel grab rail
1 x 310048 480mm Contemporary stainless steel grab rail
1 x 310480 Stainless steel single arm hinged grab rail
1 x Contemporary back to wall WC pan
1 x Concealed cistern with push plate
1 x Single tap hole basin
1 x TMV3 thermostatic basin mixer
1 x 211301 Stainless steel back rest rail and PU back rest pad
1 x Low level bath with TMV3 thermostatic bath filler

Contemporary bathroom pack - wall hung sanitary ware



Available colours



Code	
326021	Left hand
326025	Right hand

- Contemporary design wall hung WC pan
- TMV3 approved thermostatic basin mixer
- Complete one box solution to meet Doc M regulations
- Concealed cistern and push plate
- Contemporary design finger rinse basin
- All components available as individual products for continuity of specification throughout Style range
- Contemporary polished stainless steel grab rails with concealed fixings

Contents

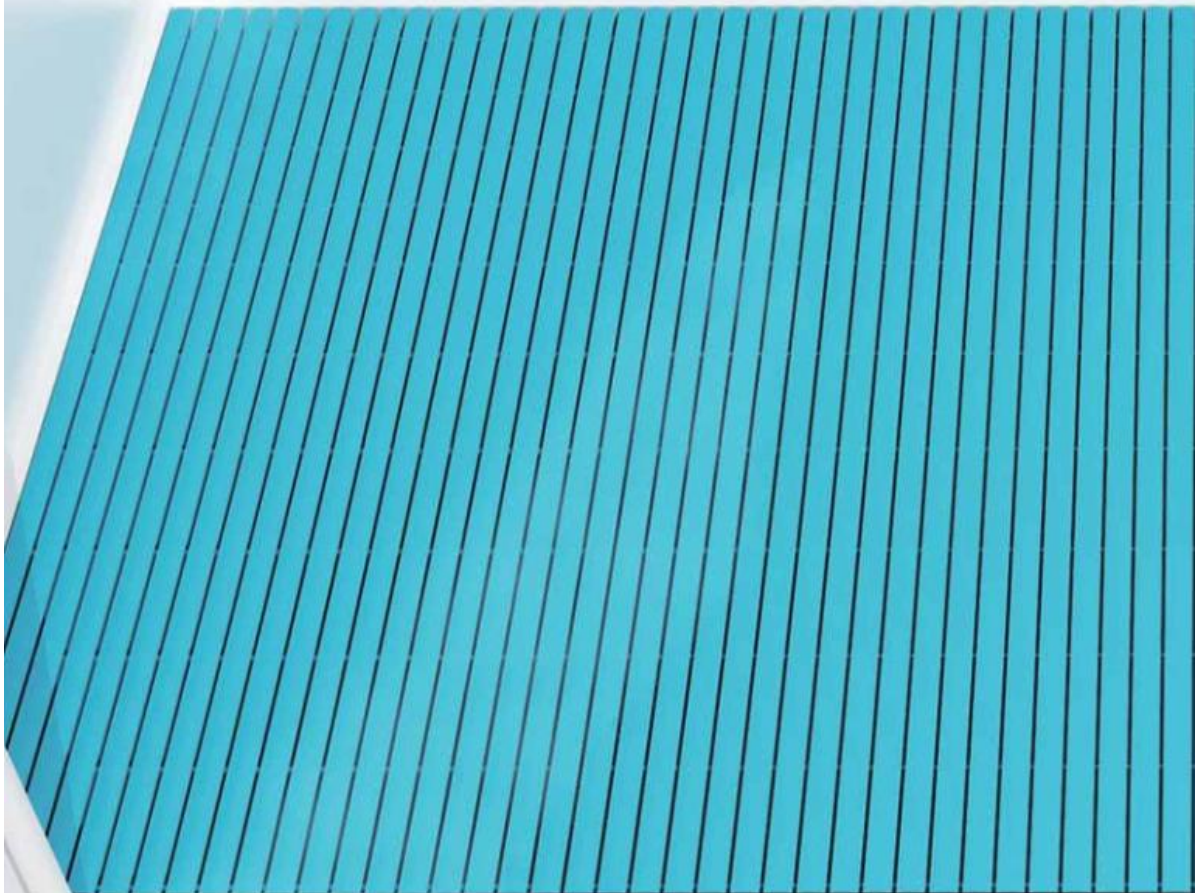
6 x 310062 600mm Contemporary stainless steel grab rail
1 x 310048 480mm Contemporary stainless steel grab rail
1 x 310480 Stainless steel single arm hinged grab rail
1 x Contemporary wall hung WC pan
1 x Concealed cistern with push plate
1 x Single tap hole basin
1 x Left hand contemporary finger rinse basin
1 x TMV3 thermostatic basin mixer
1 x 211301 Stainless steel back rest rail and PU back rest pad
1 x Low level bath with TMV3 thermostatic bath filler





Neatdek 3 true-level-access shower grilles

Neatdek 3 is the only system on the market that provides level-access in its truest sense - no ridges and no gradients, just a completely level showering area with a smooth surface transition which makes it feel like the rest of the bathroom floor. Unlike wet room showers, it keeps the rest of the bathroom dry. The system can be installed with the option of our Neatseal PVC insert (see page 28) for a completely watertight joint which is much more durable than silicon seals.



Neatdek 3 is ideal in conjunction with our Aluseal shower enclosures.



Neatdek 3 does not require a sloped surface to assist drainage - the grille is totally gradient-free.

Neatdek 3 installation positions

Left hand corner  Right hand corner  Three wall enclosure  One side  Oasis 

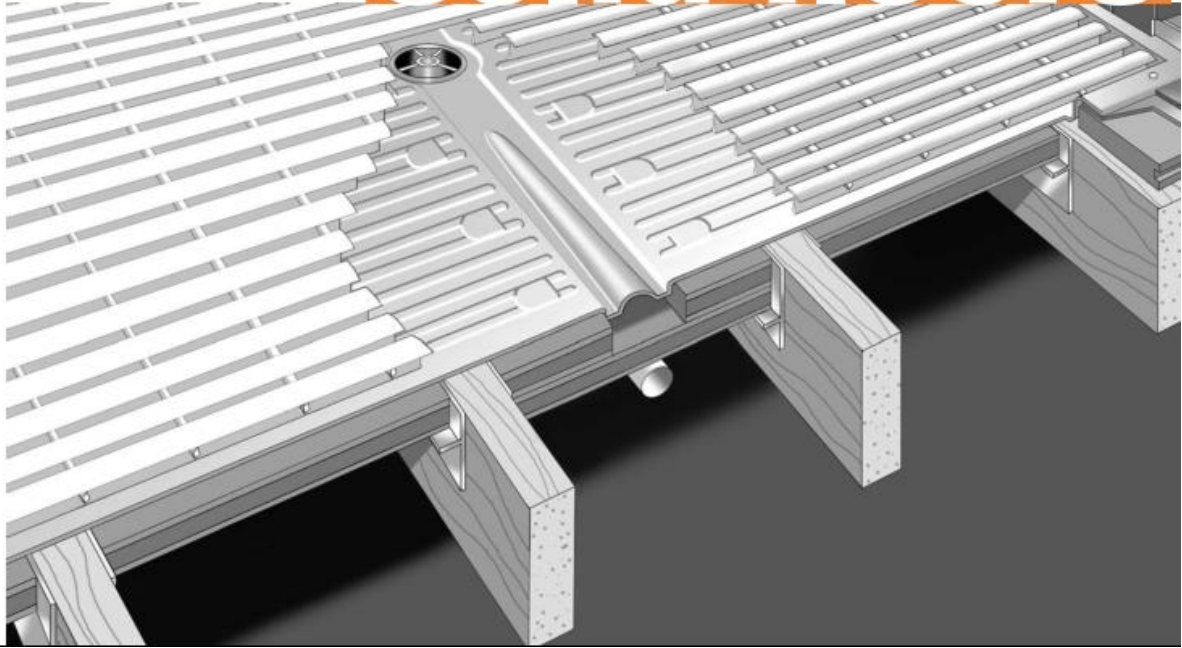


Neatdek 3 provides efficient drainage (up to 25 litres per minute) which can accommodate modern power showers.

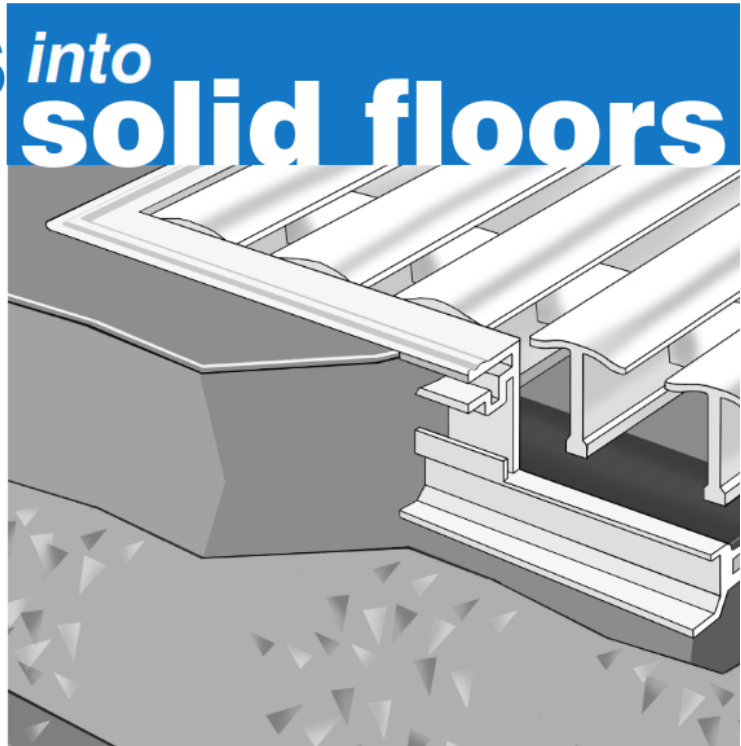


Wide choice of colours and sizes (square or bath replacement).

trays *into* timber or solid floors



frames *into* solid floors



NEAGO
accessibility
FOR ALL



Subtly routed surface for a secure and comfortable grip.

Concealed flanges to cover up unsightly screws (all fixings supplied).

Freedom support systems

PRODUCT RANGE



Grab Rail

L 300/450/600mm CODE DF 5781*
*State required length after code eg. DF 5781/300



Grab Rail

L 400mm x 400mm, angle 160° CODE DF 6083



Grab Rail

W 450mm x H 600mm
Left hand (shown) CODE DF 6098
Right hand CODE DF 6099



Hinged Support Rail

L 650/750/800/850mm x H 78mm CODE DF 5806*
*State required length after code eg. DF 5806/750
Optional leg - state L eg. DF 5806/750/L



Hinged Support Rail

L 650/750/800/850mm x H 156mm CODE DF 6106*
*State required length after code eg. DF 6106/750
Optional leg - state L eg. DF 6106/750/L
Optional toilet roll holder - state TRH eg. DF 6106/750/TRH



Height Adjustable Wall Support

W 120mm x H 460mm CODE DF 9911
Hinged Support Rail not included



Floor Fixed Support

D 100mm x W 100mm x H 700mm CODE DF 9912
Hinged Support Rail not included
For use with DF 5806 and DF 6106

L = Length W = Width D = Depth H = Height

Contemporary colour range



Classic colour range

