

# Bathroom products

Our full range of sanitary ware and bathroom accessories gives you the complete bathroom solution, whatever your needs

### Benefits

- Specially developed for users with reduced mobility
- Conform to national standards for guaranteed quality
- Optimal design, for maximum comfort
- Strong and reliable, with safety features
- Wide choice, to create the look you want
- Lifetime warranty for total peace of mind

### Features

- Raised height toilet pans for easy access and side transfer
- Screw down cistern lids for safety and security
- Ergonomic toilet seats for easy access or side transfer
- Soft close toilet seats and lids (suitable for side transfer)
- Specially designed concave washbasin for users of wheelchairs, walking frames and perching stools



- |   |                                      |   |
|---|--------------------------------------|---|
| 1 Close Coupled Dual Flush Toilet with Spatula Flush Handle | 4 Option HF Silverdale Shower Screen | 8 Stainless Steel Grab Rail             |
| 2 White Ergonomic Toilet Seat                               | 5 Tuff Form® Former                  | 9 Concave Wash Basin With Semi Pedestal |
| 3 Stainless Steel Fold Up Support Rail                      | 6 Stainless Steel TF75 Gravity Waste | 10 Mixer Tap                            |
|   | 7 Arka® Mixer Shower                 |   |

## AKW460L - close coupled toilet pan

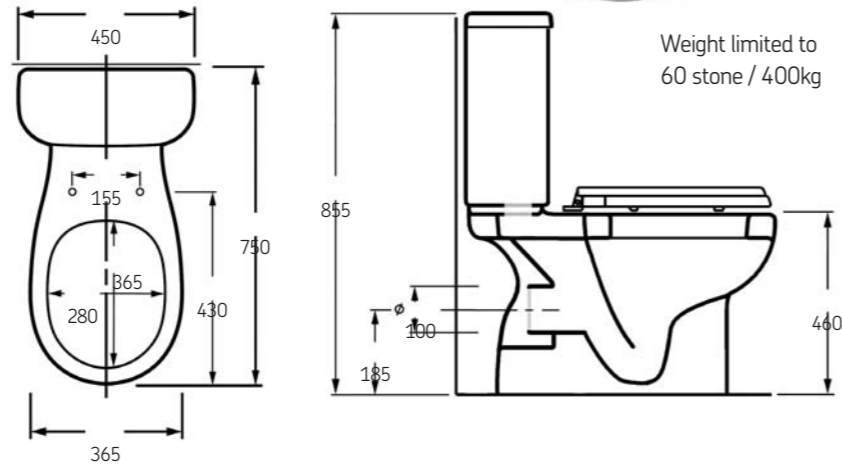
This raised height, long projection toilet pan has been specially designed for use in AKW Doc M packs.

### Features & specification:

- Raised height
- Large footprint
- 750mm projection to assist side transfer
- Attractively manufactured from white vitreous china
- Conforms to BS EN997
- CE Certified
- 4 point fixing to floor supplied
- Height with toilet seat is 480mm, which complies to Doc M guidelines

Toilet pan: 23160

Weight limited to 60 stone / 400kg



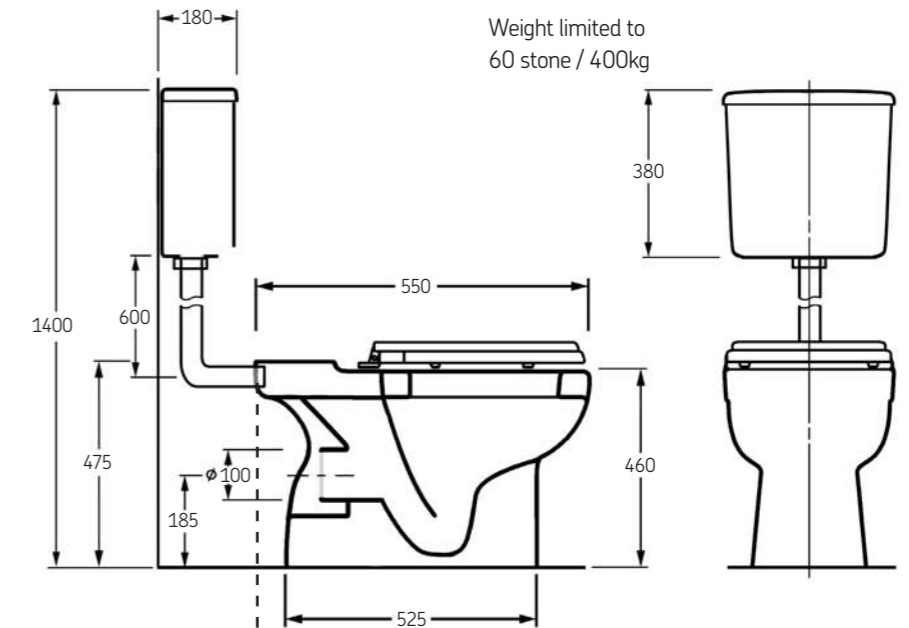
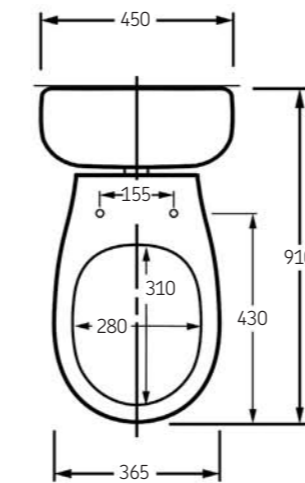
## Raised height back to wall toilet pan

Specially designed for use with the AKW low level cistern and padded back rest.

### Features & specification:

- Raised height
- Large footprint
- Manufactured from White Vitreous China
- Conforms to BS EN997
- CE Certified
- 4 point fixing to floor supplied
- Height with toilet seat is 480mm, which complies to Doc M guidelines

Toilet pan: 23161



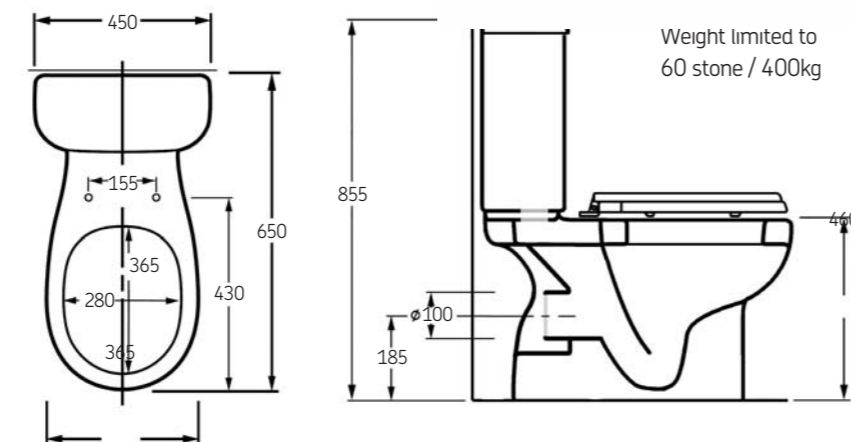
## AKW460S - close coupled toilet pan

### Features & specification:

- Raised height
- Large footprint
- 650mm projection
- Attractively manufactured from white vitreous china
- Conforms to BS EN997
- CE Certified
- 4 point fixing to floor supplied
- Height with toilet seat is 480mm, which complies to Doc M guidelines

Toilet pan: 23162

Weight limited to 60 stone / 400kg



## Cistern, flush valve & handle

AKW Cisterns have been designed for use with the AKW toilet pan range. Each comes supplied with a spatula dual flush handle with complete flush mechanism & fill valve. There are two available options:

- AKW close coupled cistern, for use with AKW460L & AKW460S toilet pans
- AKW low level cistern, for use with AKW460U

### Features & specification:

- Manufactured from white vitreous china
- Screw down lid for added safety and security.
- Dual Flush 6 & 4 litre for maximum water efficiency
- WRAS approval to EN997 standards
- Non handed, it fits either left or right
- Low level cistern comes complete with a 760 x 305mm flush pipe

Low Level Cistern: 23164 (Includes the flush pipe)

Close Coupled Cistern: 23163



## Flush valve and spatula handle

The spatula shaped design is easy to use and dual flush operation helps save water. This handle is only suitable for use with AKW cisterns.

### Features & specification:

- Non reflective satin chrome finish for partially sighted users
- Easy to operate with hand, closed fist or elbow
- Non handed, it fits either left or right
- Handle is unique to AKW flush valve mechanism

Replacement spatula flush handle: [23165](#)



## Ergonomic toilet seat

Ideal for any situation where side transfer or extra stability is required, AKW toilet seats are ergonomically designed for comfort, easy cleaning and added strength.

### Features & specification:

- Strong metal hinges and lugs grip the inside of the pan for added strength
- Contoured for maximum comfort
- Available in white or blue for visually impaired users, and with or without lid
- Strong metal, soft close hinges
- Easy installation
- Easy to clean
- Made from urea formaldehyde
- Width 375mm front to back 435mm

Blue toilet seat with lid: [23124](#)

White toilet seat with lid: [23122](#)

Blue toilet seat with no lid: [23125](#)

White toilet seat with no lid: [23123](#)

Weight limited to  
47 stone / 300kg



## AL100 alarm system

The AKW emergency audio alarm operates by a simple pull cord to allow users to raise an alarm from within a toilet or closed room. In standby mode the alarm shows a green 'power on' light. Once pulled, a flashing red 'alarm' light is triggered, along with an audio signal.

### Features & specification:

- Easy to operate control panel with 2 LEDs: green for 'on', red for activated
- Reset Switch
- Long pull cord with two red bangles for ease of grip
- 12V DC Power supply
- 90dbA
- CE Certified
- Can be connected to a 3A fused switched spur or plugged into a dedicated 3A fused, 13A plug and 230V AC supply socket
- Designed to BS8300:2009 guidelines

Emergency alarm & pull cord: [23143](#)



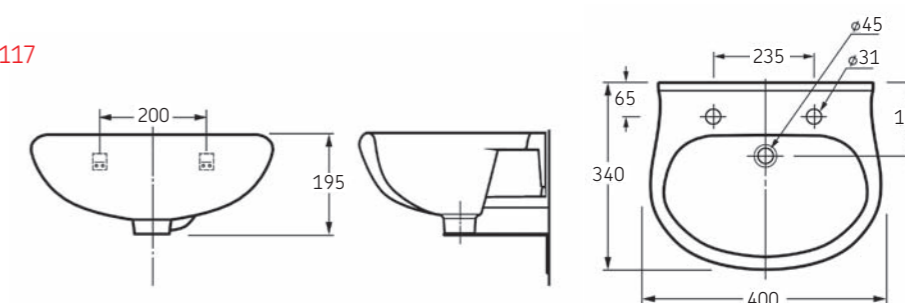
## Finger rinse wash basin

This compact 400mm wash basin is specifically designed for use with the AKW Doc M pack.

### Features & specification:

- 400mm (w) x 340mm (d)
- Additional bracket under washbasin for extra support
- Supplied with a waste
- Non-handed – two tap hole basin, blanking plug supplied
- Easy installation

Wash Basin- 2 tap hole  
complete with waste trap & fixings: [23117](#)



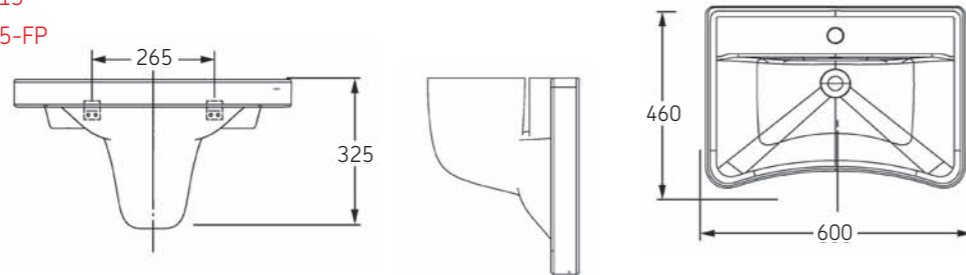
## Concave wash basin

Features & specification:

- Ergonomically designed for wheelchair, walking frame or perching stool users
- Concaved front to allow closer access to basin and taps
- 600mm (w) x 460mm (d)
- Includes waste trap and shroud as standard
- Full height pedestal option available

AKW Concave wash basin: **23115**

Full height pedestal code: **23115-FP**



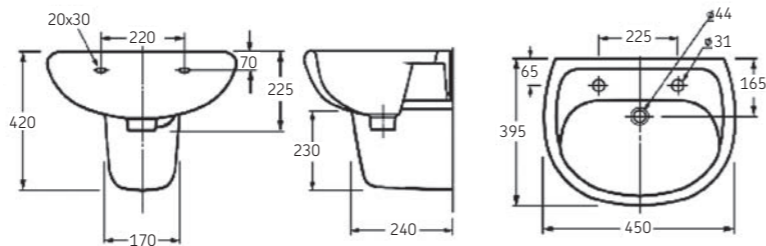
## 450mm wide wash basin

Features & specification:

- 450mm (w) x 395mm (d)
- Supplied with a shroud to cover waste as standard
- Includes waste trap
- Non-handed – two tap hole basin, blanking plug supplied
- Easy installation
- Full pedestal option available

2 tap hole wash basin 450mm wide: **23126**

Full pedestal code: **23126-FP**



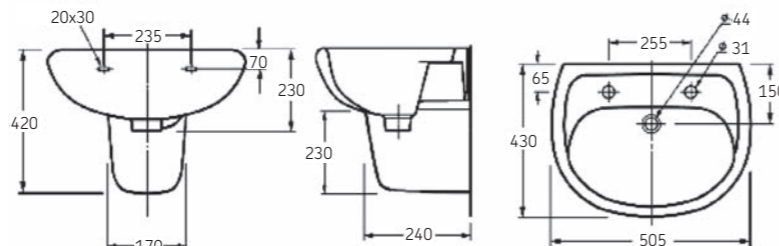
## 505mm wide wash basin

Features & specification:

- 505mm (w) x 430mm (d)
- Supplied with a shroud to cover waste as standard
- Includes waste trap
- Non-handed – two tap hole basin, blanking plug supplied
- Easy installation
- Full pedestal option available

2 tap hole wash basin 505mm wide: **23127**

Full pedestal code: **23127-FP**



## Full pedestal for wash basins

The AKW wash basin with full pedestal offers an ideal domestic bathroom option. Made from white vitreous china in a modern sleek design it is the perfect choice for any bathroom.

2 tap hole washbasin (450mm wide): **23126-FP**

2 tap hole washbasin (505mm wide): **23127-FP**

Ergonomic concave washbasin (600mm wide): **23115-FP**



Ergonomic concave washbasin with full pedestal illustrated

## TMV3 thermostatic mixer tap

The TMV3 thermostatic mixer tap has an extended lever for easy operation using a closed fist or elbow

Features & specification:

- TMV3 approved to prevent scalding
- Integrated mixer valve for improved hygiene
- Non reflective satin chrome finish for partially sighted users

TMV3 Thermostatic mixer tap: **23116A**



## Monobloc spray mixer tap

Features & specification:

- For use with either one or two tap hole wash basins
- Non reflective satin chrome finish
- Easy to install
- User friendly long handle

Monobloc spray mixer tap: **23118**



## Lever basin tap

Features & specification:

- Stylish chrome finish to complement modern bathroom designs
- The lever design provides a smooth and controlled 90° turn operation which is easy to operate with either a hand or an arm making it suitable for users with limited dexterity
- Easy and quick installation
- Coloured temperature indicator ring on head of tap
- Minimum working pressure 0.2 bar

Lever tap: **23128CH**



## Hand dryer

Suitable for all applications, the hygienic 1.6kW automatic hand dryer comes complete with a heavy duty steel cover and white powder coated finish.

Features & specification:

- Strong durable case
- High output element for rapid drying
- Installer adjustable hand proximity sensor
- 60 second auto power cut out switch
- Temperature cut off protection
- IP21 Rated
- Power supply 230V
- Weight 4.8kg
- Dimensions: W:30 H:27 D:19
- 5 year warranty

Hand dryer HD2401: [23136](#)



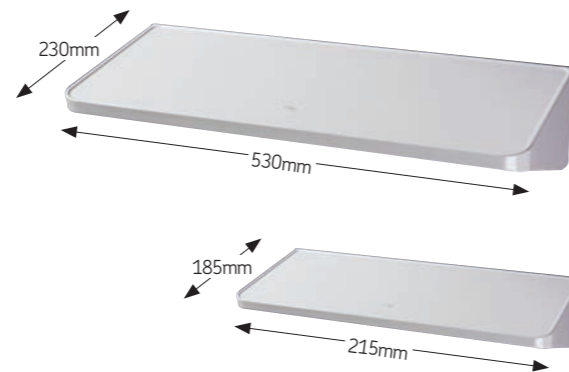
## Shelving

AKW's range of white polypropylene shelving is designed for use next to the W/C, wash basin or showering area.

Features & specification:

- Easily removed for cleaning
- Two sizes available
- Rounded edges for safety
- Hole for water drainage
- Small shelf next to the toilet is designed for placing a colostomy bag onto if required
- Larger shelf next to washbasin is available to place any items on when entering the bathroom

Small Shelf: [23145](#) Large Shelf: [23146](#)



## Swing bin

This easy to operate swing bin is available in white, with a blue lid for the visually impaired.

Features & specification:

- Wide opening
- Durable - will not rust, chip or peel
- Dent resistant
- Swing top keeps waste out of sight
- Height: 61cm
- Width: 31cm
- Depth: 16mm

Swingbin: [23148](#)



## Liquid soap dispenser

The AKW lever operated soap dispenser has been designed for easy operation, by hand, closed fist or elbow. It is refillable by simply topping up the soap bottle using liquid soap.

Features & specification:

- Lever operated
- Extended blue lever provides better colour contrast and visibility
- Refillable
- Manufactured from ABS plastic
- Dimensions: W:120mm H:260mm D:200mm

Lever Operated Soap Dispenser: [23142](#)



## Toilet tissue dispenser

Features & specification:

- Easy installation
- Refillable using tissue up to 110 x 110mm in size
- 240mm stack capacity
- Lockable
- Manufactured from ABS plastic
- Dimensions: W: 135mm H:290mm D:130mm

Toilet Tissue Dispenser: [23138](#)



## Paper towel dispenser

Features & specification:

- Easy installation
- Large capacity - up to 350mm stack
- Accepts interleaved or C fold hand towels up to 255mm (W)
- Lockable
- Manufactured from ABS plastic
- Dimensions: W: 285mm H: 380mm D: 110mm

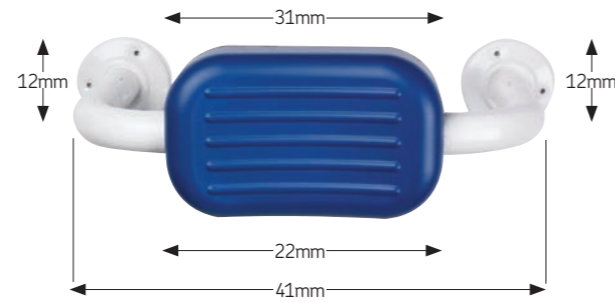
Paper Towel Dispenser: [23139](#)



## Padded back rest

Features & specification:

- Aids side transfer
- Available in grey and blue
- Pad made from polyurethane foam for easy cleaning
- Made from polyurethane foam for easy cleaning
- Cushion thickness 60mm



Padded Back Rest - Blue: **01190BU** Padded Back Rest - Grey: **01190GR**



## Mirror

Made from toughened glass, the AKW mirror is ideal for use in public bathrooms. It features an adhesive backing sheet for added safety.

Features & specification:

- High colour contrast blue border
- Manufactured from toughened glass
- Adhesive backing sheet
- 4 pre drilled fixing holes
- 1000mm high x 400mm wide

Mirror: **23147**



## Clothes hooks

Though AKW clothes hooks have been especially designed for use in AKW Doc M packs. Their practical design and easy installation makes them suitable for many other applications.

Features & specification:

- Finished in blue for high contrast
- Easy to install with fixings supplied
- Removable for cleaning

Blue Clothes Hooks: **23144**



## Bathroom light

Features & specification:

- IP54 2D surface mounted light fitting
- Supplied with 28 watt 2D lamp
- Diameter: 326mm
- Depth: 105mm
- Class 1 - must be earthed

Bathroom Light: **23133**



## Low voltage bathroom extractor fan - AKW100 series

The AKW100 Series low voltage extractor fan range has been specifically designed for extra safety when used in bathrooms and showers.

### Benefits

- An extra low 12VAC SELV voltage and thermal fuse give you added safety at all times
- Can be wall or ceiling mounted, so suits a wide range of locations
- Made from lightweight ABS thermoplastic for long-life - and easy cleaning
- IP27 rating - a mark of its safety in environments where water is present
- Three different models to match your needs exactly
- 3 Year warranty as standard for extra peace of mind

### Features

- 100mm ducting diameter for safe and efficient extraction of moisture (in line with industry standards)
- Slim plastic casing for easy and discreet fitting
- Can be wired directly into bathroom light circuit
- Three different models with product options including a humidistat and adjustable overrun timer
- Designed to exceed Building Regulation (Document F) requirements

AKW100P Product code: **23152**

AKW100T Product code: **23154**

AKW100THP Product code: **23156**



AKW100P - Extractor fan with pull cord



AKW100T - Extractor fan with timer



AKW100THP - Extractor fan with timer humidistat